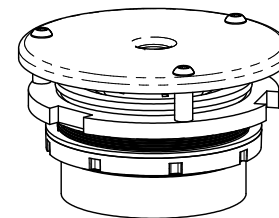
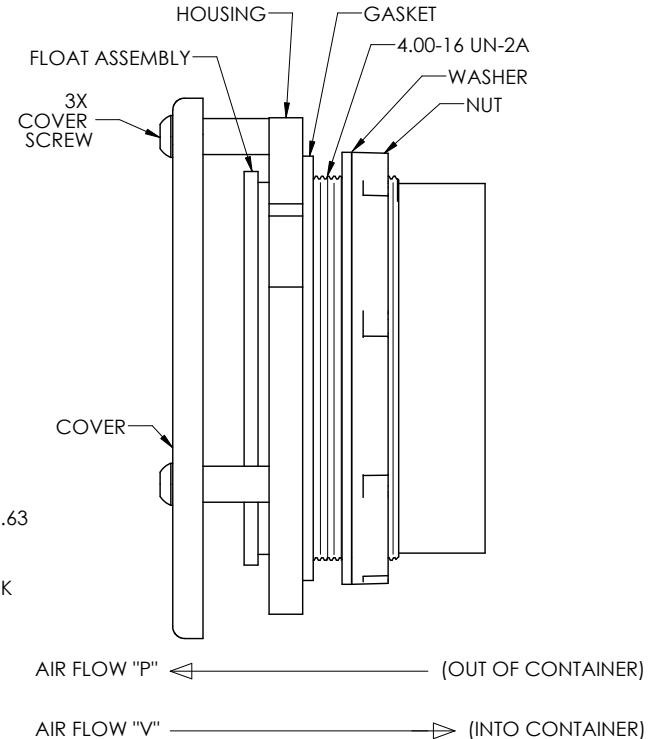
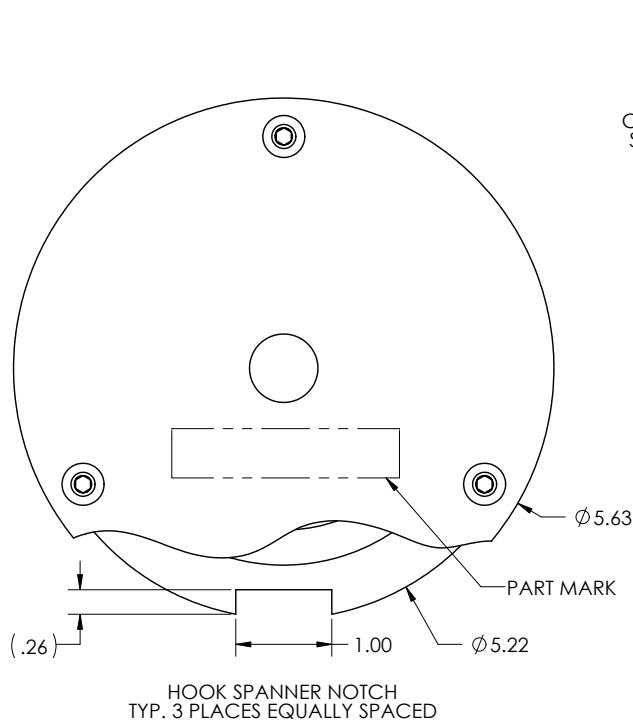


NOTES UNLESS OTHERWISE SPECIFIED:

1. NOMENCLATURE: VALVE, BREATHER, TWO-WAY RELIEF, HIGH FLOW.
2. PERFORMANCE: SEE TABLE
3. MATERIAL:
 - 3.1 HOUSING, COVER, WASHER AND NUT: ALUMINUM ALLOYS.
 - 3.2 GASKET AND INTERNAL SEAL (NOT SHOWN): SILICONE RUBBER.
 - 3.3 MAGNETS (NOT SHOWN): NEODYMIUM.
 - 3.4 FLOAT AND MAGNET RETAINER (NOT SHOWN): GLASS-FILLED POLYCARBONATE.
 - 3.5 COVER SCREWS: CRES.
4. FINISH
 - 4.1 ALUMINUM ALLOYS, EXCEPT WASHER: ANODIZED IAW MIL-A-8625, TYPE II, CLASS 2, DYED BLACK.
 - 4.2 WASHER: ANODIZED IAW MIL-A-8625, TYPE II, CLASS 1.
 - 4.3 COVER SCREWS: BLACK OXIDE.
 - 4.4 MAGNETS: NI-CU-NI.
5. THE FOLLOWING ITEMS FURNISHED AS PART OF THIS ASSEMBLY MAY BE PURCHASED SEPARATELY:

P/N	385010-16	WASHER
	796011-201	GASKET
	385008-5	NUT

REVISIONS				
ZONE	LTR.	DESCRIPTION	DATE	APPROVED
--	A	ECO 220321.	8-29-22 REC	APPROVED <i>By Ralph Foree at 8:18 am, Aug 31, 2022</i>



PART NUMBER	GENERAL PERFORMANCE TABLE			
	CRACKING PRESSURE RANGE (PSID)	MINIMUM "P" FLOW RATE (SCFM BY PSID)	CRACKING VACUUM RANGE (PSID)	MINIMUM "V" FLOW RATE (SCFM BY PSID)
TA797-025-025	0.25-0.50	525 BY 1.50	0.25-0.50	160 BY 1.75
TA797-05-05	0.50-0.80	525 BY 1.50	0.50-0.80	160 BY 2.00
TA797-075-075	0.75-1.00	525 BY 1.50	0.75-1.00	160 BY 2.25
TA797-10-10	1.00-1.25	525 BY 1.50	1.00-1.25	160 BY 2.50
TA797-15-15	1.50-1.70	525 BY 2.00	1.50-1.70	160 BY 3.50

INTERPRET DIMENSIONS AND TOLERANCES IAW ANSI Y14.5M-1994 UNLESS OTHERWISE SPECIFIED DIMENSIONS ARE IN INCHES TOLERANCES: DECIMALS .XX ± .030, .XXX ± .010; ANGLES ± .5° DO NOT SCALE DRAWING FINISH:				CONTRACT: DRAWN: R.CASAD, DATE: 2-18-21; CHECK: R.FOREE, DATE: 4-1-21; APPROVED: R.FOREE, DATE: 4-1-21; MANUFACTURING:	
PART DASH NO.	NEXT QTY. REQ'D PER ASSY.	FINAL	NEXT ASSY.	USED ON	SIMILAR TO
APPLICATION			ACT. WT.	CALC. WT.	
CUSTOMER			CUSTOMER		

CGM CONTAINER CONTROLS, INC. P.O. BOX 40020 - TUCSON, ARIZONA 85717-0020			
TITLE: HIGH FLOW BREATHER VALVE			
SIZE: C	FSCM NO.: 08992	DWG. NO.: TA797	REV: A
SCALE: 1/1	RELEASE DATE:	SHEET: 1 OF 1	