

NOTES UNLESS OTHERWISE SPECIFIED:

1. NOMENCLATURE: AUTOMATIC ONE-WAY PRESSURE RELIEF VALVE.
2. APPLICABLE SPECIFICATION: SAE AS27166, TYPE II.
3. PERFORMANCE:
 - 3.1 AIR FLOW IN DIRECTION "P" (OUT OF CONTAINER): SEE TABLE BELOW.
 - 3.2 AIR FLOW IN DIRECTION "V" (INTO CONTAINER): THERE SHALL BE NO FLOW BELOW 15.0 PSID.

4. MATERIAL:

- 4.1 HOUSING, HEX NUT, WASHER AND COVER: ALUMINUM ALLOY.
- 4.2 GASKET AND INTERNAL SEALS (NOT SHOWN): SILICONE RUBBER IAW A-A-59588.

5. FINISH:

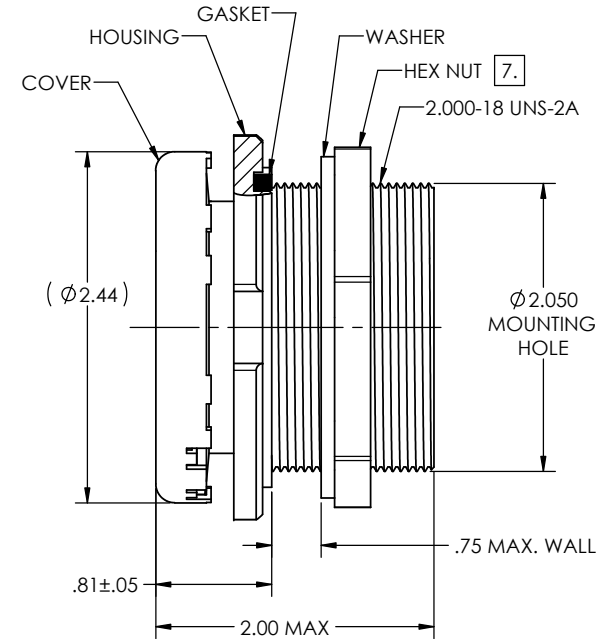
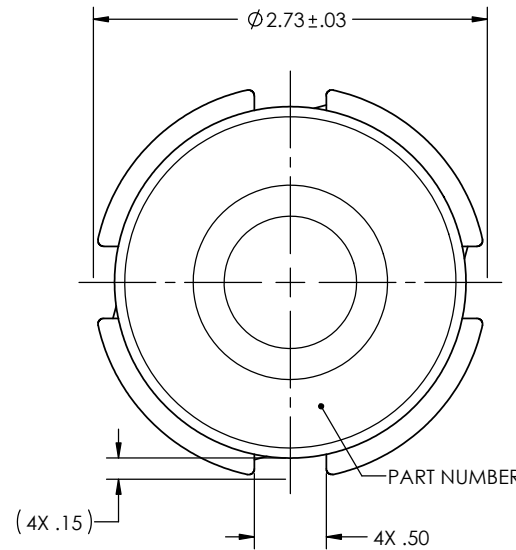
- 5.1 HOUSING, HEX NUT, AND WASHER: ANODIZED IAW MIL-A-8625, TYPE II, CLASS 1 (DARK COLOR DUE TO ALLOY).

6. THE FOLLOWING ITEMS FURNISHED AS PART OF THIS ASSEMBLY MAY BE PURCHASED SEPARATELY.

P/N 500016-16 WASHER
 500080 GASKET
 770014-16 HEX NUT

7. RECOMMENDED INSTALLATION TORQUE: 80-90 IN-LBS.

REVISIONS				
ZONE	LTR.	DESCRIPTION	DATE	APPROVED
			APPROVED By Eric Zuercher at 9:51 am, Apr 10, 2023	



AIR FLOW "P" ← (OUT OF CONTAINER)
 AIR FLOW "V" → (INTO CONTAINER)

VALVE PERFORMANCE			
PRESSURE SIDE (FLOW OUT)			
PART NUMBER	CRACKING PRESSURE RANGE (PSID)	RESEAL PRESSURE AFTER CRACK, MIN (PSID)	MINIMUM FLOW RATE (SCFM BY PSID)
TA770-P-005C	0.00-0.10	N/R	5 BY 0.30
TA770-P-025C	0.15-0.35	0.05	12 BY 0.75
TA770-P-025	0.25-0.75	0.25	21 BY 1.75
TA770-P-05C	0.25-0.75	0.10	20 BY 1.75
TA770-P-05	0.50-1.00	0.50	20 BY 2.00
TA770-P-10C	0.75-1.25	0.50	20 BY 2.00
TA770-P-10	1.00-1.50	1.00	18 BY 2.50
TA770-P-15C	1.30-1.70	1.00	20 BY 3.00
TA770-P-15	1.50-2.25	1.50	16 BY 3.00
TA770-P-20C	1.75-2.25	1.50	16 BY 3.00
TA770-P-20	2.00-3.00	2.00	14 BY 3.50
TA770-P-25	2.50-3.50	2.50	12 BY 4.00
TA770-P-30	3.00-4.00	3.00	10 BY 4.50
TA770-P-35	3.50-4.50	3.50	8 BY 5.00
TA770-P-40	4.00-5.00	4.00	9 BY 6.50
TA770-P-45	4.50-6.00	4.50	10 BY 7.50
TA770-P-50	5.00-6.50	5.00	10 BY 8.50
TA770-P-70	N/R	7.00	7.5 BY 10.5

INTERPRET DIMENSIONS AND TOLERANCES IAW ANSI Y14.5M-1994 UNLESS OTHERWISE SPECIFIED DIMENSIONS ARE IN INCHES TOLERANCES: DECIMALS .XX ± .015 .XXX ± .010 ANGLES ± .5°			
CONTRACT: DRAWN: R.CASAD DATE: 11-29-18 CHECK: E.ZUERCHER DATE: 2-11-19 APPROVED: E.ZUERCHER DATE: 2-11-19 MANUFACTURING: CUSTOMER:			
DO NOT SCALE DRAWING FINISH: 5.			
PART DASH NO.	NEXT QTY. REQ'D PER ASSY.	FINAL	NEXT ASSY.
APPLICATION		USED ON	SIMILAR TO
NCT. WT.		CALC. WT.	

CGM CONTAINER CONTROLS, INC. P.O. BOX 40020 - TUCSON, ARIZONA 85717-0020			
VALVE, BREATHER			
SIZE: C	FSCM NO.: 08992	DWG. NO.: TA770-P	REV: A
SCALE: 1.5/1	RELEASE DATE:	SHEET: 1 OF 1	