

4

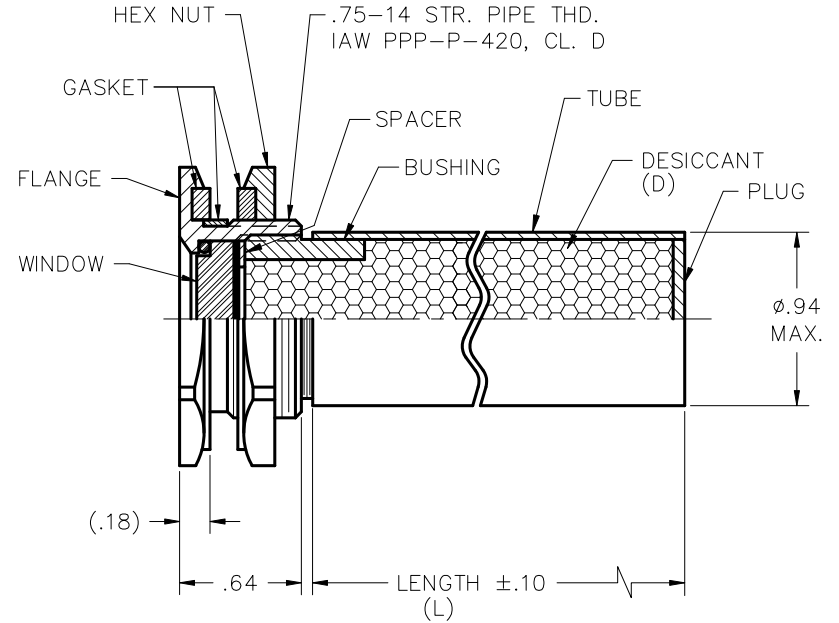
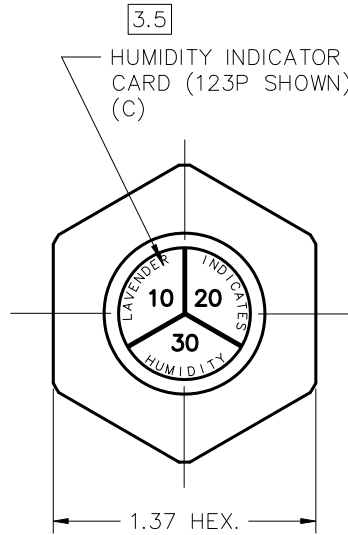
3

2

1

NOTES UNLESS OTHERWISE SPECIFIED

- 1. DESCRIPTION: DESICCATOR AND HUMIDITY INDICATOR ASSEMBLY
- 2. PERFORMANCE: THE RELATIVE HUMIDITY OF THE DESICCANT IS INDICATED BY ONE OR MORE SEGMENTS ON THE INDICATOR CARD. A BLUE COLOR IN SEGMENT INDICATES RH IS LESS THAN NUMBER IN THAT SEGMENT. A LAVENDER OR PINK COLOR IN SEGMENT INDICATES RH IS EQUAL TO OR GREATER THAN NUMBER IN THAT SEGMENT. COLOR CHANGE IS REVERSIBLE UNDER NORMAL CONDITIONS.
- 3. MATERIALS:
 - 3.1 DESICCANT: MOLECULAR SIEVE OR SILICA GEL AS INDICATED BY PART NUMBER CODE. EACH INCH OF TUBE HOLDS ABOUT 5 GRAMS OF DESICCANT.
 - 3.2 FLANGE, HEX NUT AND BUSHING: ALUMINUM ALLOYS.
 - 3.3 TUBE: POROUS POLYETHYLENE WITH 90 MICRON MAX PORE SIZE.
 - 3.4 PLUG AND SPACER: RIGID PLASTIC.



REVISIONS			
ZONE	LTR.	DESCRIPTION	DATE
			APPROVED
			By Eric Zuercher at 9:55 am, Apr 10, 2023

- 3.5 HUMIDITY INDICATOR CARD: CHEMICALLY IMPREGNATED BLOTTER PAPER IAW MIL-I-8835. SEE TABLE ON SHEET 2 FOR AVAILABLE CARDS.
- 3.6 GASKETS: IAW MIL-PRF-6855, CLASS II, GRADE 60.
- 3.7 WINDOW: PLEXIGLAS.
- 4. FINISH: ALUMINUM ALLOYS ANODIZED IAW MIL-A-8625, TYPE II, CLASS 1.
- 5. PACKAGING: DESICCATOR IS INDIVIDUALLY SEALED IN A MIL-PRF-22191, TYPE I, BARRIER BAG OR EQUIVALENT. MULTIPLES OF BAGGED DESICCATORS ARE OVERPACKED IN RESEALABLE CAN.

PART NUMBER CODE: TA366-(D)(L)-(C)

(D) = TYPE OF DESICCANT. AVAILABLE TYPES: SG (SILICA GEL)
MS (MOLECULAR SIEVE)

(L) = LENGTH OF TUBE IN INCHES, WITHOUT TRAILING ZEROS.
MAXIMUM TUBE LENGTH IS 9".

(C) = HUMIDITY INDICATOR CARD TYPE. SEE SHEET 2 FOR LIST OF AVAILABLE CARDS.

EXAMPLE PART NUMBER: TA366-MS3.5-123P

(MOLECULAR SIEVE IN 3.5"-LONG CARTRIDGE, HUMIDITY INDICATOR CARD HAS 10%, 20%, & 30% PIE SHAPE)

				INTERPRET DIMENSIONS AND TOLERANCES IAW ASME Y14.5M-1994		CONTRACT		agm CONTAINER CONTROLS, INC.	
				UNLESS OTHERWISE SPECIFIED DIMENSIONS ARE IN INCHES		DRAWN		P.O. BOX 40020 - TUCSON, ARIZONA 85717-0020	
				TOLERANCES:		R. CASAD		DATE	
				DECIMALS .XX ±.015 ±.02		CHECK		4-4-19	
				ANGLES .XXX ±.010 ±.5°		E. ZUERCHER		4-5-19	
				DO NOT SCALE DRAWING		APPROVED			
				FINISH		E. ZUERCHER		4-5-19	
				4.		MANUFACTURING			
				PART DASH NO.		CUSTOMER			
NEXT		FINAL		NEXT ASSY.		USED ON		SIMILAR TO	
QTY. REQ'D PER ASSY.				APPLICATION				ACT. WT. CALC. WT.	
								SCALE 1/1	
								FSCM NO. 08992	
								DWC. NO. TA366	
								REV A	
								RELEASE DATE	
								SHEET 1 OF 2	

4

3

2

1

4

3

2

1

REVISIONS				
ZONE	LTR.	DESCRIPTION	DATE	APPROVED

HUMIDITY INDICATOR CARDS			
CARD TYPE	INDICATED HUMIDITY PERCENTAGE	SEGMENT TYPE	ADDITIONAL TEXT ON CARD
2345S**	20, 30, 40, 50	CIRCLES	LAVENDER DOT INDICATES % REL. HUMIDITY
2345P	20, 30, 40, 50	PIE SHAPE	LAVENDER INDICATES HUMIDITY
345S**	30, 40, 50	CIRCLES	LAVENDER DOT INDICATES % REL. HUMIDITY
123P	10, 20, 30	PIE SHAPE	LAVENDER INDICATES HUMIDITY
234P	20, 30, 40	PIE SHAPE	LAVENDER INDICATES HUMIDITY
246P	20, 40, 60	PIE SHAPE	LAVENDER INDICATES HUMIDITY
345P	30, 40, 50	PIE SHAPE	LAVENDER INDICATES HUMIDITY
3456P	30, 40, 50, 60	PIE SHAPE	LAVENDER INDICATES HUMIDITY
456P	40, 50, 60	PIE SHAPE	LAVENDER INDICATES HUMIDITY
40	40	WHOLE	REPRESERVE WHEN PINK

**NON-STANDARD CARD (NON-STANDARD CARDS ARE SPECIAL ORDER).

SIZE C	FSCM NO. 08992	DWG. NO. TA366	REV A
SCALE 1	SHEET 2 OF 2		

4

3

2

1