

4

3

2

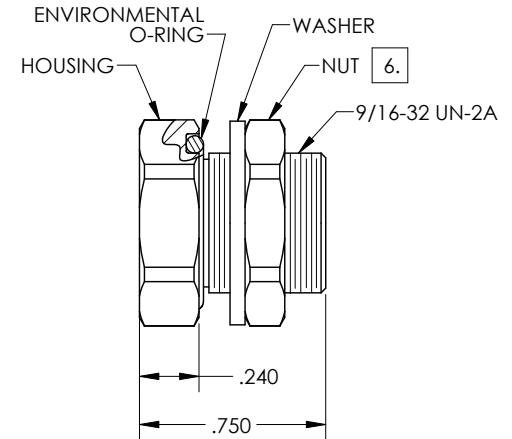
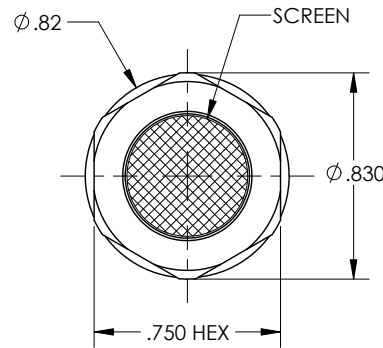
1

NOTES UNLESS OTHERWISE SPECIFIED:

- 1. NOMENCLATURE: AUTOMATIC ONE-WAY PRESSURE RELIEF VALVE.
- 2. PERFORMANCE: SEE TABLE BELOW.
- 3. MATERIALS:
 - 3.1 HOUSING, STEM (NOT SHOWN), AND NUT: ALUMINUM ALLOY.
 - 3.2 SPRING (NOT SHOWN), RETAINING RING AND SCREEN: STAINLESS STEEL.
 - 3.3 ENVIRONMENTAL O-RING AND O-RING SEAL (NOT SHOWN): BUNA-N.
 - 3.4 WASHER: ACETAL.
- 4. FINISH:
 - 4.1 ALUMINUM ALLOYS: BLACK ANODIZED IAW MIL-A-8625, TYPE II, CLASS 2.
 - 4.2 STAINLESS STEEL: PASSIVATED.
- 5. THE FOLLOWING ITEMS FURNISHED AS PART OF THIS ASSEMBLY MAY BE PURCHASED SEPARATELY:

P/N	296008	ENVIRONMENTAL O-RING
	296011	WASHER
	296010-5	NUT

6. RECOMMENDED NUT INSTALLATION TORQUE: 20-25 IN-LBS.



(OUT OF CONTAINER) ← AIR FLOW "P"

VALVE PERFORMANCE

PART NUMBER	CRACKING PRESSURE RANGE (PSID)	RESEAL PRESSURE, MIN. (PSID)	MIN. FLOW RATE (SCFM BY PSID)
TA296-P-025C	0.10-0.40	0.10	N/R
TA296-P-035C	0.20-0.50	0.10	N/R
TA296-P-05C	0.30-0.70	0.10	N/R
TA296-P-10C	0.85-1.15	0.75	N/R
TA296-P-20	2.00-3.00	2.00	1.25 BY 3.50
TA296-P-27C	2.50-3.00	1.50	1.75 BY 4.50
TA296-P-30C	2.75-3.25	2.00	1.75 BY 4.50
TA296-P-30	3.00-4.00	3.00	0.75 BY 4.50
TA296-P-50	5.00-6.50	5.00	1 BY 8.00
TA296-P-57C	5.00-6.50	5.00	N/R
TA296-P-60C	5.00-7.00	4.50	1 BY 7.00
TA296-P-65C	5.50-7.50	5.00	1 BY 7.50
TA296-P-70C	6.00-8.00	5.50	1 BY 8.00

INTERPRET DIMENSIONS AND TOLERANCES IAW ANSI Y14.5M-1994 UNLESS OTHERWISE SPECIFIED DIMENSIONS ARE IN INCHES TOLERANCES: DECIMALS .XX ± .02 .XXX ± .015 ANGLES ± .5° DO NOT SCALE DRAWING				CONTRACT NO. DRAWN R.CASAD DATE 11-28-18 CHECK APPROVED By Eric Zuercher at 11:37 am, Nov 30, 2018		AGM CONTAINER CONTROLS, INC. P.O. BOX 40020 - TUCSON, ARIZONA 85717-0020	
				FINISH 4.		TITLE VALVE, ONE-WAY PRESSURE RELIEF	
PART DASH NO.		NEXT FINAL NEXT ASSY. USED ON		MANUFACTURING		SIZE B FSCM NO. 08992 DWG. NO. TA296-P REV. -	
QTY. REQ'D PER ASSY.		APPLICATION		CUSTOMER		SCALE 2/1 RELEASE DATE SHEET 1 OF 1	

4

3

2

1