

4

3

2

1

REVISIONS				
ZONE	LTR.	DESCRIPTION	DATE	APPROVED

NOTES:

- NOMENCLATURE: SHOCK OVERLOAD INDICATOR.
- OPERATION: A RED BAND IS EXPOSED ON THE ROD BENEATH THE PLASTIC DOME WHEN THE SHOCKMASTER IS SUBJECT TO A SHOCK IN EXCESS OF G RATING FOR A MINIMUM OF 20 MILLISECONDS.
- RESETTING: REMOVE MS35265-12 SCREW, INSERT A PIN IN THE ACCESS HOLE IN THE SIDE OF THE DOME, AND USE PIN TO SLIDE THE BLACK SLEEVE OVER THE RED BAND. FOR SETTINGS 25G AND HIGHER, DEPRESS RESET BUTTON WHILE SLIDING BLACK SLEEVE. ACCESS TO RESET CAN BE PROTECTED BY INSTALLING SAFETY WIRE THROUGH MS35265-12 SCREW AND RESET BUTTON, IF PRESENT.
- MATERIALS:
 - HOUSING: ALUMINUM ALLOY.
 - DOME: CLEAR POLYCARBONATE (LEXAN).
 - FINISH: HOUSING AND (IF APPLICABLE) MOUNTING PLATE: CLEAR ANODIZED IAW MIL-A-8625, TYPE II, CLASS 1.
- SEE FOLLOWING SHEETS FOR TYPICAL CONFIGURATION DRAWINGS.

PART NUMBER TABLE					
TA280-XXX		- XXX		(-C5)	
DASH NO.	CONFIGURATION	DASH NO.	NOMINAL G-RATING	DASH NO.	CERTIFICATION & TOLERANCE
-016	EQUAL-G, REAR MOUNTING	-005	5 G	NONE	±10 % TOLERANCE, CERTIFIED
-017	EQUAL-G, REAR MOUNTING, ELECTRICAL (NORMALLY OPEN)	-010	10 G	-C5	± 5 % TOLERANCE, CERTIFIED
-018	EQUAL-G, FRONT MOUNTING	-015	15 G		
-019	EQUAL-G, FRONT MOUNTING, ELECTRICAL (NORMALLY OPEN)	-020	20 G	** ± 5 % TOLERANCE NOT AVAILABLE ON SETTINGS BELOW 10 G	
-020	LONG AXIS, REAR MOUNTING	-025	25 G		
-021	LONG AXIS, REAR MOUNTING, ELECTRICAL (NORMALLY OPEN)	-030	30 G		
-022	LONG AXIS, FRONT MOUNTING	-035	35 G		
-023	LONG AXIS, FRONT MOUNTING, ELECTRICAL (NORMALLY OPEN)	-040	40 G		
		-050	50 G		
		** (CONTACT AGM FOR ADDITIONAL SETTINGS AND CONFIGURATIONS)			

EXAMPLE: TA280-016-015-C5 EQUAL-G, REAR MOUNTING SHOCKMASTER, SET FOR 15 G WITH ± 5 % TOLERANCE, CERTIFIED.

				INTERPRET DIMENSIONS AND TOLERANCES IAW ASME Y14.5M-1994		CONTRACT		agm CONTAINER CONTROLS, INC.							
				UNLESS OTHERWISE SPECIFIED DIMENSIONS ARE IN INCHES		DRAWN R.CASAD		DATE 1-26-22		TITLE					
				TOLERANCES: DECIMALS .XX ±.015 .XXX ±.010		CHECK		APPROVED		SHOCKMASTER					
				ANGLES ±.5°		By Eric Zuercher at 8:11 am, Dec 27, 2022		SIZE C		FSCM NO. 08992		DWG. NO. TA280		REV -	
				DO NOT SCALE DRAWING		MANUFACTURING		SCALE 2/1		RELEASE DATE		SHEET 1 OF 4			
				FINISH		CUSTOMER									
				FINAL											
				APPLICATION											
				PART DASH NO.											
				NEXT QTY. REQ'D PER ASSY.											
				FINAL											
				NEXT ASSY.											
				USED ON											
				SIMILAR TO											
				ACT. WT.											
				CALC. WT.											

4

3

2

1

4

3

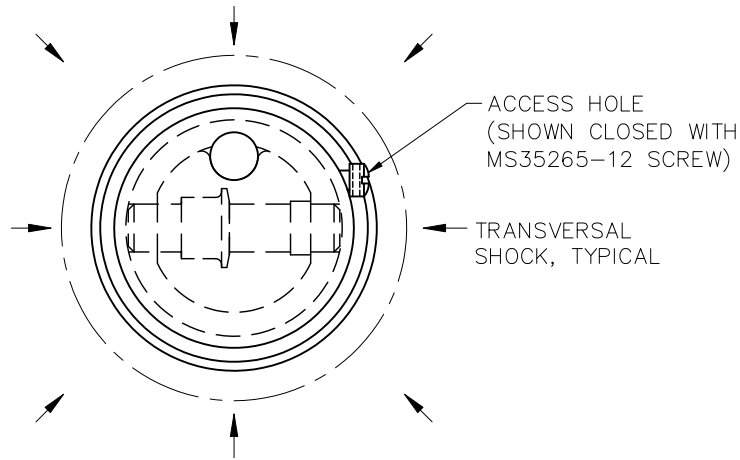
2

1

FIGURE 1:

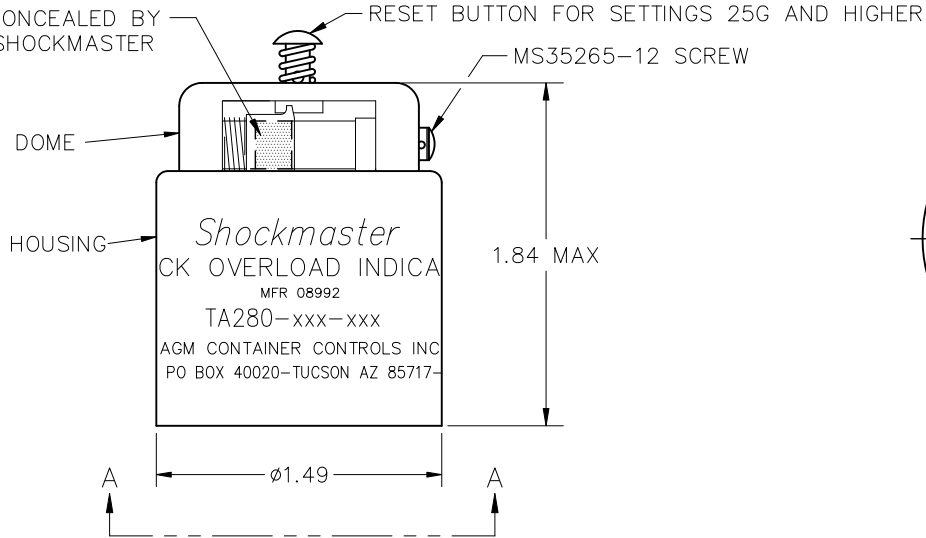
- 1. SHOCK OVERLOAD INDICATOR, EQUAL G, REAR MOUNTING MODEL.
- 2. SENSITIVITY: SENSITIVE TO BOTH TRANSVERSAL AND LONGITUDINAL (UP) SHOCK WHEN MOUNTED AS SHOWN.

REVISIONS				
ZONE	LTR.	DESCRIPTION	DATE	APPROVED

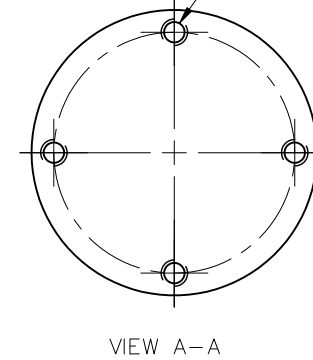


RED BAND IS CONCEALED BY SLEEVE UNTIL SHOCKMASTER IS TRIPPED.

LONGITUDINAL (UP) SHOCK ↑



4X 6-32 UNC-2B THD HOLES .290 MIN. DEEP ON A ϕ 1.257 BC.



SIZE C	FSCM NO. 08992	DWG. NO. TA280	REV -
SCALE NONE	SHEET 2		

4

3

2

1

4

3

2

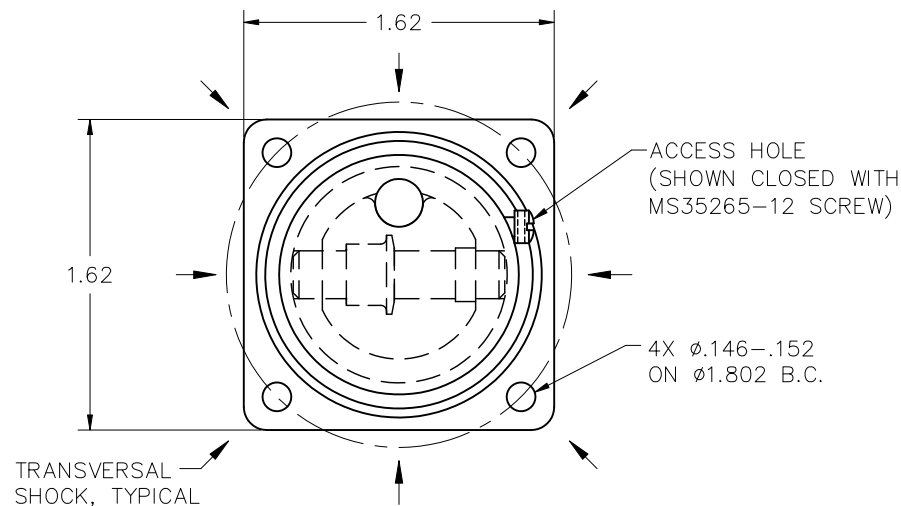
1

REVISIONS

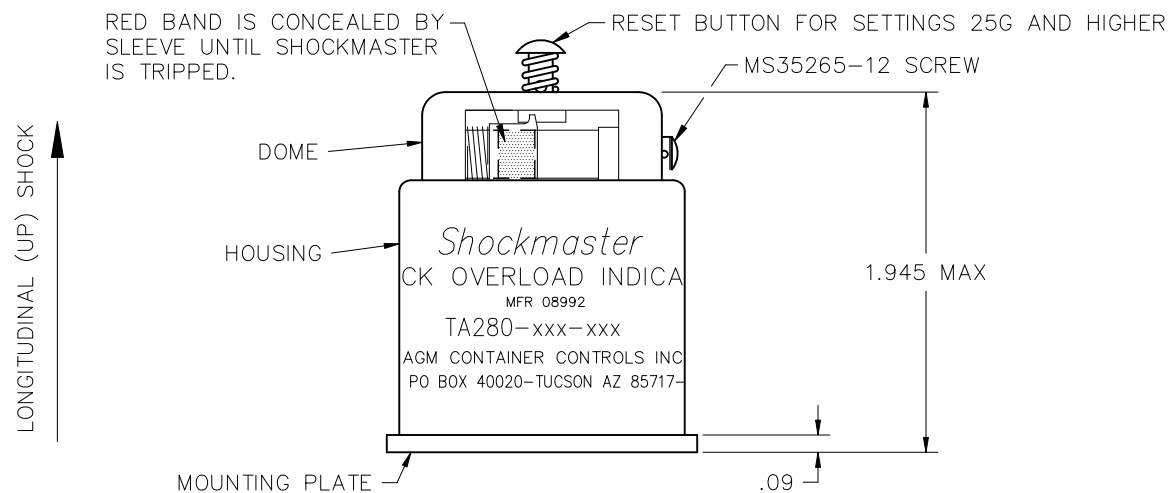
ZONE	LTR.	DESCRIPTION	DATE	APPROVED

FIGURE 2:

1. SHOCK OVERLOAD INDICATOR, EQUAL G, FRONT MOUNTING MODEL.
2. SENSITIVITY: SENSITIVE TO BOTH TRANSVERSAL AND LONGITUDINAL (UP) SHOCK WHEN MOUNTED AS SHOWN.



RED BAND IS CONCEALED BY SLEEVE UNTIL SHOCKMASTER IS TRIPPED.



SIZE C	FSCM NO. 08992	DWG. NO. TA280	REV -
SCALE NONE	SHEET 3		

4

3

2

1

4

3

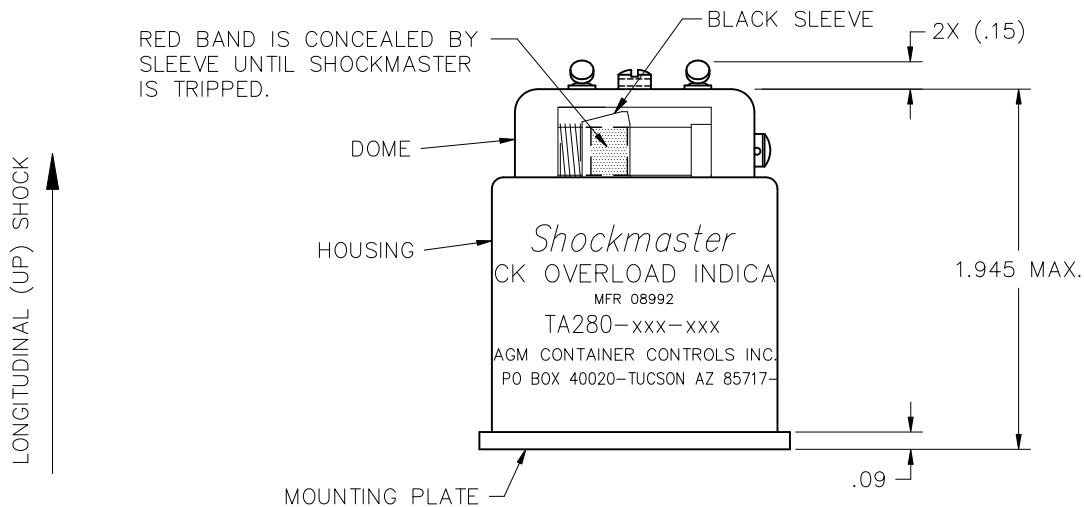
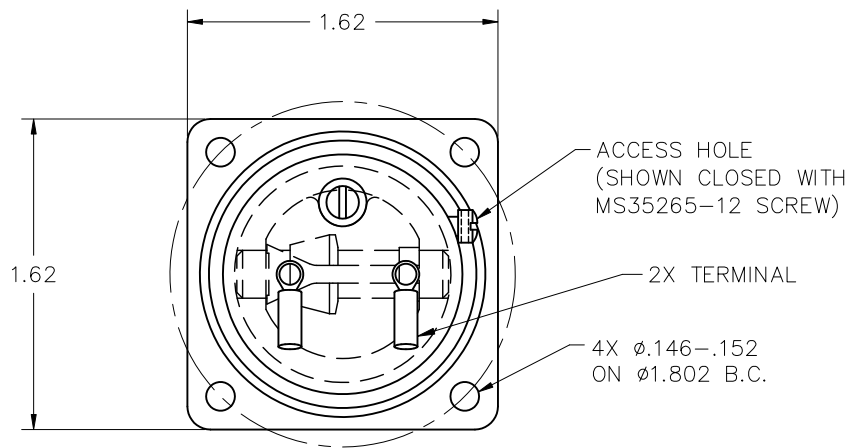
2

1

REVISIONS				
ZONE	LTR.	DESCRIPTION	DATE	APPROVED

FIGURE 3:

1. SHOCK OVERLOAD INDICATOR, LONG AXIS, FRONT MOUNTING MODEL WITH ELECTRICAL CONTACTS.
2. SENSITIVITY: SENSITIVE ONLY TO LONGITUDINAL (UP) SHOCK WHEN MOUNTED AS SHOWN.



SIZE C	FSCM NO. 08992	DWG. NO. TA280	REV -
SCALE NONE	SHEET 4		