

4

3

2

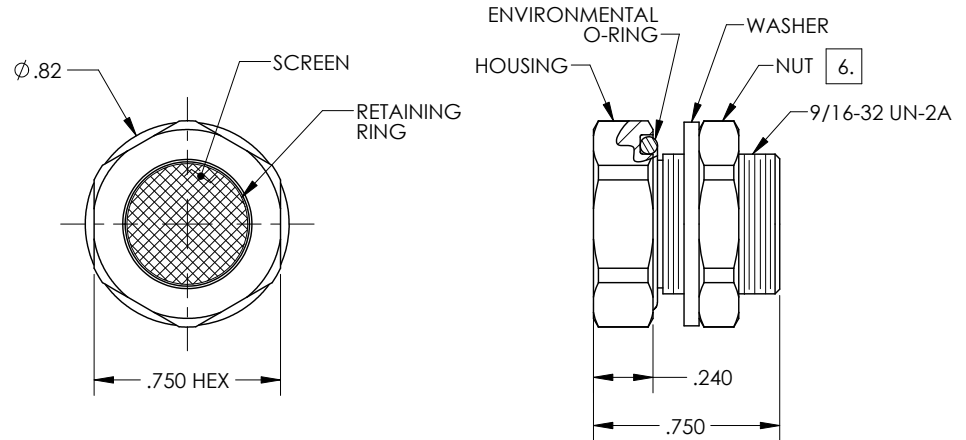
1

NOTES UNLESS OTHERWISE SPECIFIED:

- 1. NOMENCLATURE: AUTOMATIC ONE-WAY VACUUM RELIEF VALVE.
- 2. PERFORMANCE: SEE TABLE BELOW.
- 3. MATERIALS:
 - 3.1 HOUSING, STEM (NOT SHOWN), AND NUT: ALUMINUM ALLOY.
 - 3.2 SPRING (NOT SHOWN), RETAINING RING AND SCREEN: STAINLESS STEEL.
 - 3.3 ENVIRONMENTAL O-RING AND O-RING SEAL (NOT SHOWN): BUNA-N.
 - 3.4 WASHER: ACETAL.
- 4. FINISH:
 - 4.1 ALUMINUM ALLOYS: BLACK ANODIZED IAW MIL-A-8625, TYPE II, CLASS 2.
 - 4.2 STAINLESS STEEL: PASSIVATED.
- 5. THE FOLLOWING ITEMS FURNISHED AS PART OF THIS ASSEMBLY MAY BE PURCHASED SEPARATELY:

P/N	296008	ENVIRONMENTAL O-RING
	296011	WASHER
	296010-5	NUT

6. RECOMMENDED NUT INSTALLATION TORQUE: 20-25 IN-LBS.



VALVE PERFORMANCE

PART NUMBER	CRACKING PRESSURE RANGE (PSID)	RESEAL PRESSURE, MIN. (PSID)	MIN. FLOW RATE (SCFM BY PSID)
TA296-V-025C	0.10-0.40	0.10	N/R
TA296-V-035C	0.20-0.50	0.10	TBD
TA296-V-05C	0.30-0.70	0.10	TBD
TA296-V-10C	0.85-1.15	0.75	TBD
TA296-V-20	2.00-3.00	2.00	TBD
TA296-V-30C	2.75-3.25	2.00	TBD
TA296-V-30	3.00-4.00	3.00	TBD
TA296-V-50	5.00-6.50	5.00	TBD
TA296-V-60C	5.00-7.00	4.50	TBD
TA296-V-65C	5.50-7.50	5.00	TBD
TA296-V-70C	6.00-8.00	5.50	TBD

AIR FLOW "V" (INTO CONTAINER)

INTERPRET DIMENSIONS AND TOLERANCES IAW ANSI Y14.5M-1994 UNLESS OTHERWISE SPECIFIED DIMENSIONS ARE IN INCHES TOLERANCES: DECIMALS .XX ± .02 .XXX ± .015 ANGLES ± .5° DO NOT SCALE DRAWING				CONTRACT NO. DRAWN R.CASAD DATE 5-20-22 CHECK APPROVED By Eric Zuercher at 3:43 pm, Jun 02, 2022 MANUFACTURING CUSTOMER		AGM CONTAINER CONTROLS, INC. P.O. BOX 40020 - TUCSON, ARIZONA 85717-0020 TITLE VALVE, ONE-WAY VACUUM RELIEF			
FINISH 4.		SIZE B		FSCM NO. 08992		DWG. NO. TA296-V		REV. -	
PART DASH NO.		QTY. REQ'D PER ASSY.		APPLICATION		SCALE 2/1		SHEET 1 OF 1	

4

3

2

1