

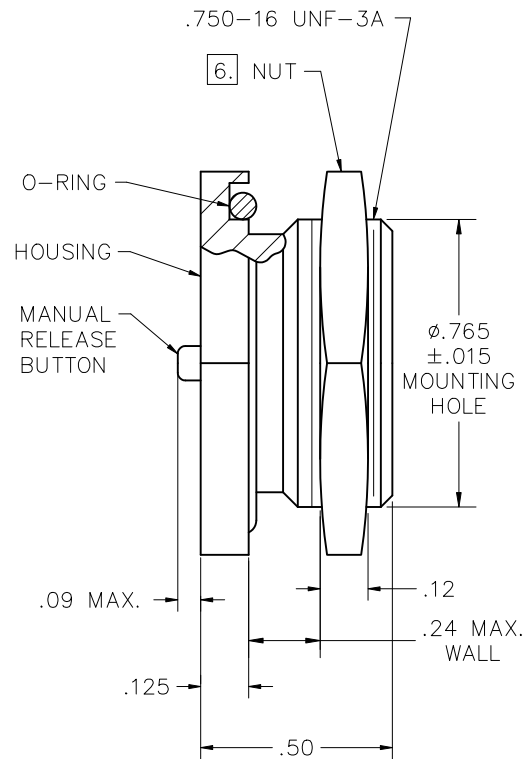
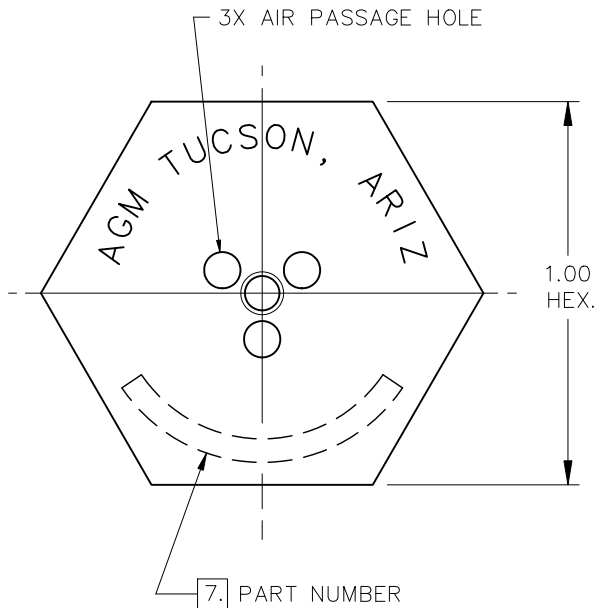
4

3

2

1

| REVISIONS | | | | |
|-----------|------|-------------|------|----------|
| ZONE | LTR. | DESCRIPTION | DATE | APPROVED |
| | | | | |



NOTES UNLESS OTHERWISE SPECIFIED

- 1. DESCRIPTION: VALVE, BREATHER, VACUUM RELIEF WITH MANUAL RELEASE BUTTON.
- 2. PERFORMANCE: SEE TABLE ON SHEET 2.
- 3. THIS VALVE IS NOT REPAIRABLE EXCEPT BY AGM CONTAINER CONTROLS, INC.
- 4. MATERIALS:
 - 4.1 HOUSING AND NUT: ALUMINUM ALLOY.
 - 4.2 MANUAL RELEASE BUTTON: STAINLESS STEEL.
 - 4.3 O-RING: MS28775-018.

- [5]. FINISH: HOUSING AND NUT ANODIZED IAW MIL-A-8625, TYPE II, CLASS 2, DYED BLACK.
- [6]. RECOMMENDED INSTALLATION TORQUE 30 ±5 INCH POUNDS
- [7]. IDENTIFICATION: PART MARK IN APPROXIMATE LOCATION SHOWN.

| | | | | | |
|--|---------------------------|----------------------|------------|---|------------|
| INTERPRET DIMENSIONS AND TOLERANCES IAW ASME Y14.5M-1994 | | | | CONTRACT | |
| UNLESS OTHERWISE SPECIFIED DIMENSIONS ARE IN INCHES | | | | DRAWN | DATE |
| TOLERANCES: | | | | R.CASAD | 1-18-22 |
| DECIMALS | | ANGLES | | CHECK | |
| .XX ±.015 | | ±.5° | | APPROVED | |
| .XXX ±.010 | | DO NOT SCALE DRAWING | | By Eric Zuercher at 1:59 pm, Jan 20, 2022 | |
| FINISH | | | | MANUFACTURING | |
| [5] | | | | CUSTOMER | |
| PART DASH NO. | NEXT QTY. REQ'D PER ASSY. | FINAL | NEXT ASSY. | USED ON | SIMILAR TO |
| | | | | | |
| APPLICATION | | | ACT. WT. | CALC. WT. | |
| | | | | | |

| | | | |
|---|--------------|----------|--------|
| agm CONTAINER CONTROLS, INC. P.O. BOX 40020 - TUCSON, ARIZONA 85717-0020 | | | |
| TITLE VALVE, BREATHER VACUUM RELIEF | | | |
| SIZE | FSCM NO. | DWG. NO. | REV |
| C | 08992 | TA292-VR | - |
| SCALE 2/1 | RELEASE DATE | SHEET | 1 OF 2 |

4

3

2

1

4

3

2

1

REVISIONS

| ZONE | LTR. | DESCRIPTION | DATE | APPROVED |
|------|------|-------------|------|----------|
| | | | | |

CONTACT AGM FOR AVAILABILITY OF SETTINGS IN ADDITION TO THOSE SHOWN BELOW.

ONE-WAY, VACUUM, VALVE PERFORMANCE

| PART NUMBER | VACUUM SIDE (FLOW IN) | | | PRESSURE SIDE (FLOW OUT) |
|---------------|----------------------------------|---|--------------------------------|--------------------------|
| | MINIMUM FLOW RATE (SCFM BY PSID) | RESEAL PRESSURE AFTER CRACK, MIN (PSID) | CRACKING PRESSURE RANGE (PSID) | |
| TA292-VR-025C | 0.50 BY 1.50 | 0.05 | 0.10 - 0.40 | NO FLOW BELOW 10.0 PSI |
| TA292-VR-025 | 0.50 BY 1.75 | 0.25 | N/R | NO FLOW BELOW 10.0 PSI |
| TA292-VR-05 | 0.50 BY 2.00 | 0.50 | N/R | NO FLOW BELOW 15.0 PSI |
| TA292-VR-10 | 0.50 BY 2.50 | 1.00 | N/R | NO FLOW BELOW 15.0 PSI |
| TA292-VR-15 | 0.50 BY 3.00 | 1.50 | N/R | NO FLOW BELOW 15.0 PSI |
| TA292-VR-20 | 0.50 BY 3.50 | 2.00 | N/R | NO FLOW BELOW 15.0 PSI |
| TA292-VR-25 | 0.50 BY 4.50 | 2.50 | N/R | NO FLOW BELOW 15.0 PSI |
| TA292-VR-30 | 0.50 BY 5.00 | 3.00 | N/R | NO FLOW BELOW 15.0 PSI |
| TA292-VR-50 | 0.50 BY 6.50 | 5.00 | N/R | NO FLOW BELOW 15.0 PSI |

| | | | |
|---------------|-------------------|----------------------|----------|
| SIZE C | FSCM NO. 08992 | DWG. NO. TA292-VR | REV - |
| SCALE NONE | SHEET 2 | | |

4

3

2

1