

4

3

2

1

THIS DOCUMENT CONTAINS PROPRIETARY INFORMATION AND EXCEPT WITH WRITTEN PERMISSION BY AGM CONTAINER CONTROLS, INC. SUCH INFORMATION SHALL NOT BE PUBLISHED, DISCLOSED TO OTHERS OR USED FOR ANY PURPOSE AND THE DOCUMENT SHALL NOT BE DUPLICATED IN WHOLE OR IN PART.

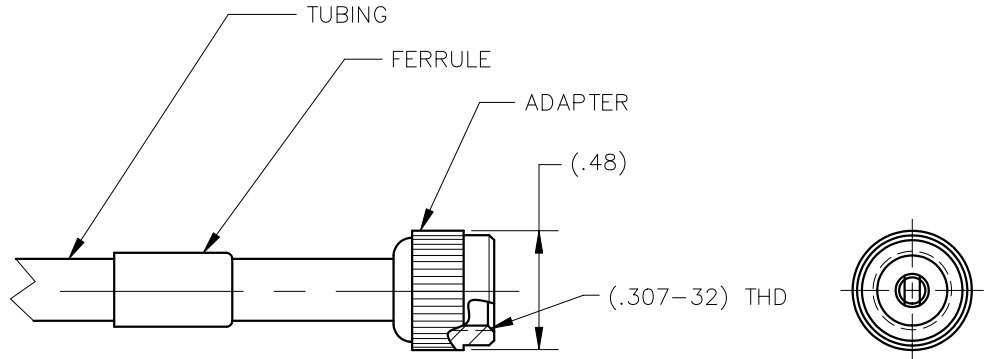
REVISIONS				
ZONE	LTR.	DESCRIPTION	DATE	APPROVAL

D

D

NOTES UNLESS OTHERWISE SPECIFIED:

1. DESCRIPTION: ADAPTER FOR TA322 FILLER VALVE. PROVIDED WITH A 6-1/2' LENGTH OF 3/16"-ID (1/4"-OD) TUBING SECURED BY CRIMPED FERRULE.
2. MATERIALS:
 - 2.1 CONNECTOR AND FERRULE: BRASS, UNPLATED
 - 2.2 TUBING: PTFE
3. INSTALLATION: THREAD KNURLED PORTION OF ADAPTER ONTO OUTER PORTION OF FILLER VALVE. KNURLED PORTION OF ADAPTER ROTATES RELATIVE TO BARBED PORTION.
4. WHEN FULLY INSTALLED ONTO FILLER VALVE, THIS ITEM WILL HOLD FILLER VALVE IN THE OPEN POSITION.



C

C

B

B

A

A

				INTERPRET DIMENSIONS AND TOLERANCES IAW ASME Y14.5M-1982		CONTRACT NO.		AGM CONTAINER CONTROLS, INC.			
				UNLESS OTHERWISE SPECIFIED DIMENSIONS ARE IN INCHES		DRAWN B.GUNNELL		DATE 8-25-11		P.O. BOX 40020 - TUCSON, ARIZONA 85717-0020	
				DECIMALS .XX ±.015 .XXX ±.010		CHECK P. LANE		DATE 8-25-11		TITLE ADAPTER, WITH HOSE	
				ANGLES ±.5°		APPROVED P. LANE		DATE 8-25-11		SIZE B	
				DO NOT SCALE DRAWING		MANUFACTURING		FSCM NO. 08992		DWG. NO. 322072	
				FINISH NONE		CUSTOMER		RELEASE DATE		REV. A	
PART DASH NO.		QTY. REQ'D PER ASSY.		APPLICATION		SIMILAR TO		SCALE 2/1		SHEET 1 OF 1	
NEXT FINAL		NEXT ASSY.		USED ON		ACT. WT.		RELEASE DATE		FILE 322072	

4

3

2

1