

NOTES UNLESS OTHERWISE SPECIFIED:

1. NOMENCLATURE: VALVE, BREATHER, TWO-WAY RELIEF WITH MANUAL RELEASE BUTTON, HUMIDITY INDICATOR AND REPLACEABLE DESICCANT CARTRIDGE (OPTIONS WITH MOUNTING FLANGE AND RFI SHIELDING AVAILABLE).
2. REFERENCE SPECIFICATIONS: SAE AS26860, TYPE II, WITH COLOR CHANGE INDICATOR, AND SAE AS27166, TYPE III, WITH MODIFIED PERFORMANCE AS SHOWN IN TABLE ON SHEET 3.
3. FLOW PERFORMANCE: SEE TABLE ON SHEET 3.

4. THE RELATIVE HUMIDITY (RH) OF THE CONTAINER AIR IS INDICATED BY SEGMENTS ON INDICATOR CARD: SEE HUMIDITY INDICATOR FIGURE ON SHEET 2. A BLUE COLOR IN SEGMENT INDICATES RH IS LESS THAN NUMBER IN THAT SEGMENT. A LAVENDER OR PINK COLOR IN SEGMENT INDICATES RH IS EQUAL TO OR GREATER THAN NUMBER IN THAT SEGMENT.
HUMIDITY INDICATOR CARD OPTIONS:
TA340 SHOWS 20, 40 AND 60 PERCENT SEGMENTS,
TA341 SHOWS 10, 20 AND 30 PERCENT SEGMENTS.
COLOR CHANGE IS REVERSIBLE UNDER NORMAL CONDITIONS.

5. MATERIALS:
 - 5.1 VALVE HOUSING, MANUAL RELEASE BUTTON, HEX NUT, WASHER, MOUNTING FLANGE AND RFI HOUSING (IF APPLICABLE): ALUMINUM ALLOYS.
 - 5.2 VALVE STEM (NOT SHOWN): CORROSION RESISTANT STEEL.
 - 5.3 WINDOW: TRANSPARENT POLYCARBONATE.
 - 5.4 DESICCANT TUBE AND FILTERS: POROUS HDPE, 15-90 MICRON NOMINAL PORE SIZE.
 - 5.5 VALVE GASKET: SILICONE RUBBER IAW A-A-59588, CLASS 2A OR 2B, GRADE 60, COLOR RED.
 - 5.6 ENVIRONMENTAL GASKET (IF APPLICABLE): SYNTHETIC RUBBER IAW MIL-PRF-6855, CLASS 2, TYPE A, GRADE 60, COLOR BLACK.
 - 5.7 CONDUCTIVE O-RING (IF APPLICABLE): SILVER PLATED, ALUMINUM FILLED, SILICONE ELASTOMER IAW MIL-DTL-83528, TYPE B.
 - 5.8 DESICCANT: MOLECULAR SIEVE OR SILICA GEL. EACH INCH OF DESICCANT CARTRIDGE HOLDS APPROXIMATELY SIX GRAMS OF DESICCANT.

6. FINISHES:
 - 6.1 VALVE HOUSING AND MOUNTING FLANGE (IF APPLICABLE), ANODIZED IAW MIL-A-8625, TYPE II, CLASS 1.
 - 6.2 RFI/EMI HOUSING (IF APPLICABLE): CONVERSION COAT IAW MIL-DTL-5541, TYPE I, CLASS 3.
 - 6.3 MANUAL RELEASE BUTTON: ANODIZED IAW MIL-A-8625, TYPE II, CLASS 2, COLOR BLACK.

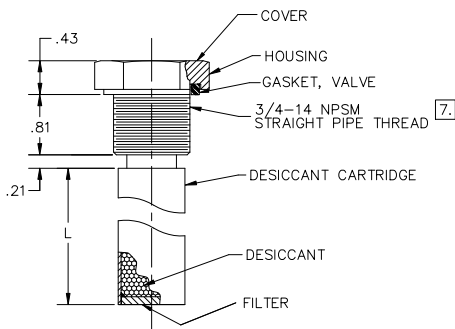
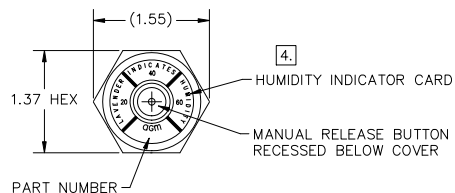
7. RECOMMENDED INSTALLATION TORQUE 30-40 IN-LBS.
8. RECOMMENDED INSTALLATION TORQUE 70-90 IN-LBS.

PART NUMBER CONVENTION: TA34X-P-V-DL-F

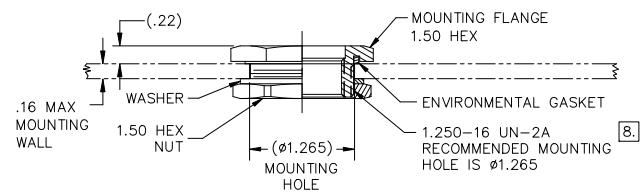
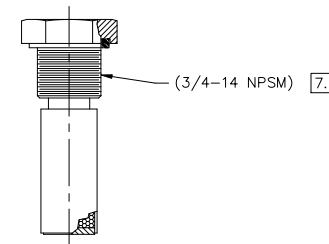
X = INDICATOR CARD	0 OR 1. SEE NOTE 4
P = PRESSURE SETTING	SEE TABLE ON SHEET 3
V = VACUUM SETTING	SEE TABLE ON SHEET 3
D = DESICCANT TYPE	MS (MOL SIEVE) OR SG (SILICA GEL)
L = LENGTH	BETWEEN .5 AND 6 TO NEAREST .1. SEE FIGURE FOR FITTING OPTION -0
F = FITTING OPTION	0, 1, 2, OR 3. SEE FIGURES

EXAMPLE: TA340-10-10-MS1.5-1
(TA340-10-10-R VALVE, 20-40-60% RH CARD, WITH 1.5" LONG CARTRIDGE CONTAINING MOLECULAR SIEVE, WITH A MOUNTING FLANGE)

ZONE		LIT.		DESCRIPTION		DATE	APPROVED
				APPROVED		By Eric Zuercher at 2:41 pm, Oct 04, 2021	



FITTING OPTION: -0
NO MOUNTING HARDWARE (FOR INSTALLATION INTO A THREADED HOLE)



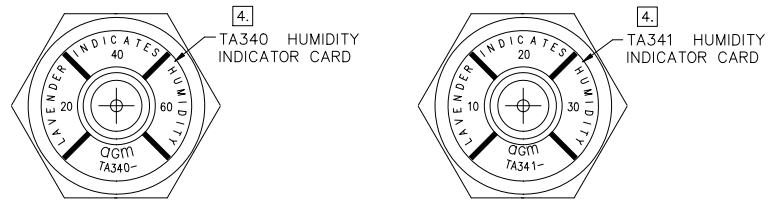
FITTING OPTION: -1
MOUNTING FLANGE
FOR VALVE AND CARTRIDGE DIMENSIONS, SEE FITTING OPTION -0 FIGURE.

AIR FLOW 'P' (PRESSURE RELIEF)
AIR FLOW 'V' (VACUUM RELIEF)

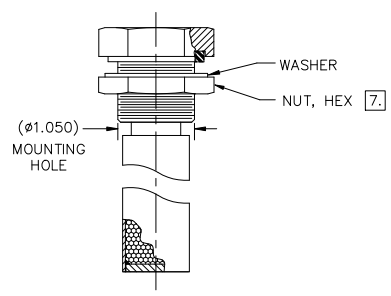
INTERPRET DIMENSIONS AND TOLERANCES IAW ASME 1:4-18-1994 UNLESS OTHERWISE SPECIFIED DIMENSIONS ARE IN INCHES TOLERANCES: DECIMALS .XX .0005 ±.0010 ANGLES ±.5° DO NOT SCALE DRAWING FINISH 6.			CONTRACT DATE: 8-24-20 DRAWN BY: R. CASAD CHECKED BY: E. ZUERCHER APPROVED BY: E. ZUERCHER MANUFACTURING DATE: 9-15-20		GGM CONTAINER CONTROLS, INC. P.O. BOX 40020 - TUCSON, ARIZONA 85717-0020 BREATHING DESICCATOR WITH HUMIDITY INDICATOR FSCM NO. 08992 Dwg. No. TA34X-PVDLF REV A	
PART NO.	QTY. REQD PER ASSY.	FINAL	NEXT ASSY.	USED ON	SCALE	1 OF 3

REVISIONS				
ZONE	LTR.	DESCRIPTION	DATE	APPROVED

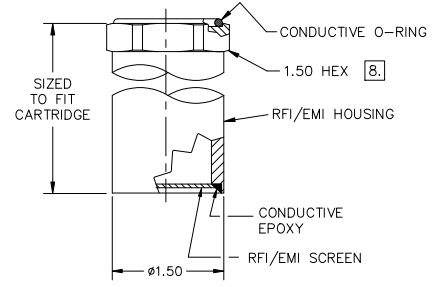
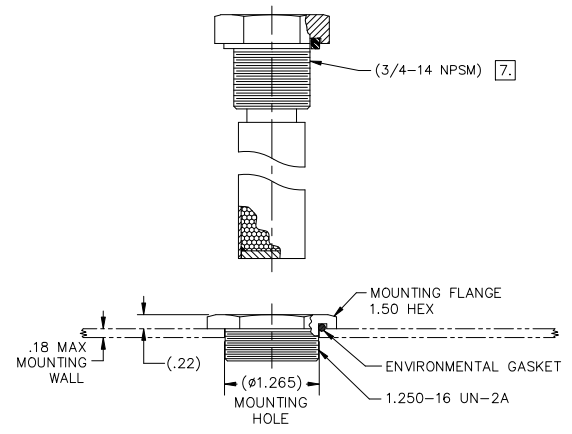
HUMIDITY INDICATOR CARD OPTIONS:



AIR FLOW "P" (OUT OF CONTAINER)
 AIR FLOW "V" (INTO CONTAINER)



FITTING OPTION: -2
 HEX NUT AND WASHER.
 FOR VALVE AND CARTRIDGE DIMENSIONS, SEE FITTING
 OPTION -0 FIGURE.



FITTING OPTION: -3
 MOUNTING FLANGE AND RFI/EMI HOUSING.
 FOR VALVE AND CARTRIDGE DIMENSIONS, SEE FITTING
 OPTION -0 FIGURE.

8 | 7 | 6 | 5 | 4 | 3 | 2 | 1

REVISIONS				
ZONE	LTR.	DESCRIPTION	DATE	APPROVED

RESEAL VALVE PERFORMANCE						
SETTING NUMBER	PRESSURE SIDE (FLOW OUT)			VACUUM SIDE (FLOW IN)		
	CRACKING PRESSURE RANGE (PSID)	RESEAL PRESSURE AFTER CRACK, MIN (PSID)	MINIMUM FLOW RATE (SCFM BY PSID)	CRACKING PRESSURE RANGE (PSID)	RESEAL PRESSURE AFTER CRACK, MIN (PSID)	MINIMUM FLOW RATE (SCFM BY PSID)
TA34X-03-03-DL-F	0.30-0.80	0.30	0.5 BY 2.00	0.30-0.80	0.30	0.5 BY 2.00
TA34X-05-05-DL-F	0.50-1.00	0.50	0.5 BY 2.00	0.50-1.00	0.50	0.5 BY 2.00
TA34X-05-20-DL-F	0.50-1.00	0.50	0.5 BY 2.00	2.00-3.00	2.00	0.6 BY 3.50
TA34X-10-10-DL-F	1.00-1.50	1.00	0.4 BY 2.50	1.00-1.50	1.00	0.5 BY 2.50
TA34X-15-05-DL-F	1.50-2.25	1.50	0.4 BY 3.00	0.50-1.00	0.50	0.5 BY 2.00
TA34X-15-15-DL-F	1.50-2.25	1.50	0.4 BY 3.00	1.50-2.25	1.50	0.6 BY 3.00
TA34X-20-20-DL-F	2.00-3.00	2.00	0.2 BY 3.50	2.00-3.00	2.00	0.6 BY 3.50
TA34X-25-15-DL-F	2.50-3.50	2.50	0.2 BY 4.00	1.50-2.25	1.50	0.6 BY 3.00
TA34X-25-25-DL-F	2.50-3.50	2.50	0.2 BY 4.00	2.50-3.50	2.50	0.5 BY 4.00
TA34X-30-05-DL-F	3.00-4.50	3.00	0.1 BY 4.50	0.50-1.00	0.50	0.5 BY 2.00
TA34X-30-20-DL-F	3.00-4.50	3.00	0.1 BY 4.50	2.00-3.00	2.00	0.6 BY 3.50
TA34X-30-30-DL-F	3.00-4.50	3.00	0.1 BY 4.50	3.00-4.50	3.00	0.5 BY 4.50
TA34X-30-60-DL-F	3.00-4.50	3.00	0.1 BY 5.00	6.00-7.50	6.00	0.1 BY 8.00
TA34X-50-50-DL-F	5.00-6.50	5.00	0.1 BY 7.50	5.00-6.50	5.00	0.2 BY 7.50

CRACKING VALVE PERFORMANCE						
SETTING NUMBER	PRESSURE SIDE (FLOW OUT)			VACUUM SIDE (FLOW IN)		
	CRACKING PRESSURE RANGE (PSID)	RESEAL PRESSURE AFTER CRACK, MIN (PSID)	MINIMUM FLOW RATE (SCFM BY PSID)	CRACKING PRESSURE RANGE (PSID)	RESEAL PRESSURE AFTER CRACK, MIN (PSID)	MINIMUM FLOW RATE (SCFM BY PSID)
TA34X-025C-025C-DL-F	0.10-0.40	0.10	0.5 BY 1.75	0.10-0.40	0.10	0.5 BY 1.75
TA34X-05C-05C-DL-F	0.30-0.70	0.10	0.5 BY 1.75	0.30-0.70	0.10	0.5 BY 1.75
TA34X-10C-10C-DL-F	0.75-1.25	0.50	0.5 BY 2.00	0.75-1.25	0.50	0.5 BY 2.00
TA34X-15C-15C-DL-F	1.25-1.75	1.00	0.4 BY 3.00	1.25-1.75	1.00	0.4 BY 3.00
TA34X-20C-20C-DL-F	1.75-2.25	1.50	0.4 BY 3.50	1.75-2.25	1.50	0.6 BY 3.50

SIZE: D	FSCM NO.: 08992	DWG. NO.: TA34X-PVDLF	REV: A
SCALE: 1/1	RELEASE DATE:	SHEET: 3	1