

4

3

2

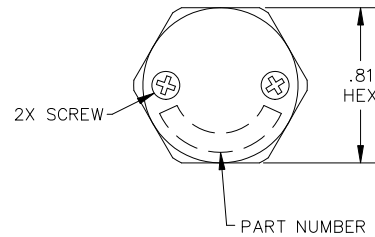
1

REVISIONS				
ZONE	LTR.	DESCRIPTION	DATE	APPROVED

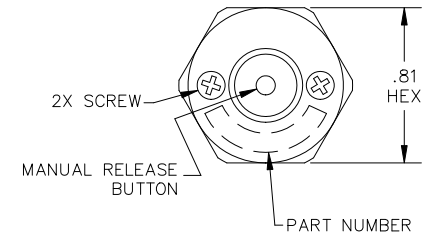
NOTES UNLESS OTHERWISE SPECIFIED:

1. NOMENCLATURE: VALVE, BREATHER, TWO-WAY RELIEF WITH REPLACEABLE DESICCANT CARTRIDGE AND OPTIONAL MANUAL RELEASE BUTTON, MOUNTING FLANGE AND RFI SHIELD.
2. REFERENCE SPECIFICATIONS: SAE AS27166, WITH MODIFIED PERFORMANCE AS SHOWN IN TABLE ON SHEET 4.
3. FLOW PERFORMANCE: SEE TABLE ON SHEET 4.
4. MATERIALS:
 - 4.1 WEATHERSHIELD, VALVE HOUSING, HEX NUT, WASHER, FLANGE (OPTIONAL) AND RFI HOUSING (OPTIONAL): ALUMINUM ALLOYS.
 - 4.2 DESICCANT CARTRIDGE SHELL: POROUS HDPE, 15-90 MICRON NOMINAL PORE SIZE.
 - 4.3 SCREW AND MANUAL RELEASE BUTTON (OPTIONAL): CRES.
 - 4.4 O-RING: MS28775.
 - 4.5 CONDUCTIVE O-RING (OPTIONAL): SILVER PLATED, ALUMINUM FILLED, SILICONE ELASTOMER.
 - 4.6 DESICCANT: MOLECULAR SIEVE OR SILICA GEL.
 - 4.7 RFI SCREEN (OPTIONAL): 100X100 CRES WIRE CLOTH, .0045 WIRE DIAMETER.
5. FINISHES:
 - 5.1 VALVE HOUSING, WEATHERSHIELD, WASHER, HEX NUT, AND FLANGE: ANODIZED IAW MIL-A-8625, TYPE II, CLASS 1. VALVE HOUSING ADDITIONALLY CLEAR TEFLON COATED.
 - 5.2 RFI HOUSING: CONVERSION COATED IAW MIL-DTL-5541.
6. RECOMMENDED INSTALLATION TORQUE 20-30 IN-LBS.
7. RECOMMENDED INSTALLATION TORQUE 30-40 IN-LBS.

TA225 VALVE
(HAS SOLID WEATHERSHIELD)



TA225-R VALVE
(HAS MANUAL RELEASE BUTTON)



PART NUMBER CONVENTION: TA225-P-V-R-DL-F

P = PRESSURE SETTING SEE TABLE ON SHEET 4
 V = VACUUM SETTING SEE TABLE ON SHEET 4
 R = MANUAL RELEASE BUTTON OPTIONAL; OMIT -R FOR SOLID WEATHER SHIELD
 D = DESICCANT TYPE MS (MOL SIEVE) OR SG (SILICA GEL)
 L = LENGTH, BETWEEN .5 AND 6 TO NEAREST .1, (SEE FITTING OPTION -0)
 F = FITTING OPTION 0, 1, 2, OR 3. SEE FIGURES

EXAMPLES:

- TA225-05-05-MS3.0-1 TA225-05-05-R VALVE (HAS MANUAL RELEASE BUTTON), WITH 3.0"-LONG CARTRIDGE CONTAINING MOLECULAR SIEVE, WITH MOUNTING FLANGE
- TA225-10-10-SG1.5-3 TA225-10-10 VALVE (HAS SOLID WEATHER SHIELD), WITH 1.5"-LONG CARTRIDGE CONTAINING SILICA GEL, WITH MOUNTING FLANGE AND RFI SHIELD

				INTERPRET DIMENSIONS AND TOLERANCES IAW ASME Y14.5M-1994		CONTRACT		agm CONTAINER CONTROLS, INC. P.O. BOX 40020 - TUCSON, ARIZONA 85717-0020			
				UNLESS OTHERWISE SPECIFIED DIMENSIONS ARE IN INCHES		DRAWN R.CASAD		DATE 4-13-21		TITLE BREATHING DESICCATOR	
				TOLERANCES: DECIMALS .XX ±.015 .XXX ±.010		CHECK APPROVED By Eric Zuercher at 12:15 pm, Apr 26, 2021					
				ANGLES ±.5°		MANUFACTURING		SIZE C		FSCM NO. 08992	
				DO NOT SCALE DRAWING		CUSTOMER		DWG. NO. TA225-PVDLF		REV -	
				FINISH 5.				SCALE 4/1		SHEET 1 OF 4	
PART DASH NO.	NEXT QTY. REQ'D PER ASSY.	FINAL	NEXT ASSY.	USED ON	SIMILAR TO	ACT. WT.	CALC. WT.	RELEASE DATE		FILE TA225-PVDLF	
				APPLICATION	4.						

4

3

2

1

4

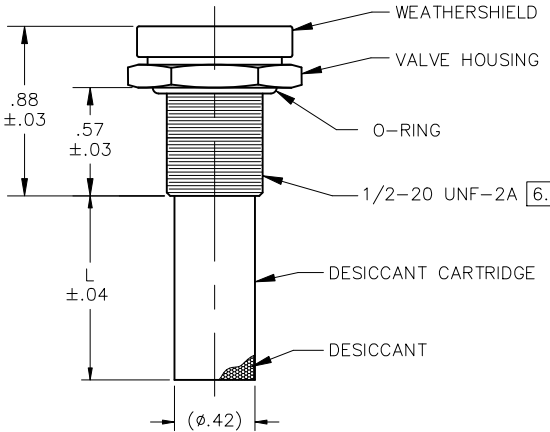
3

2

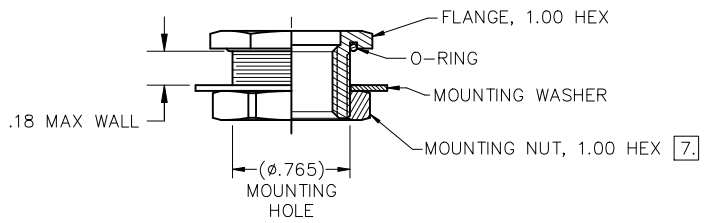
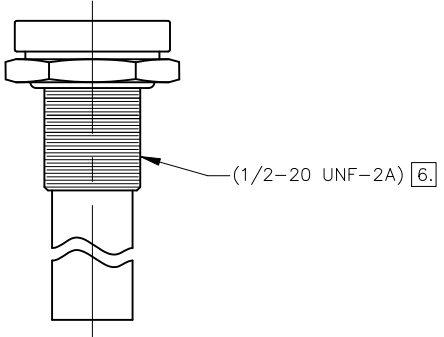
1

REVISIONS				
ZONE	LTR.	DESCRIPTION	DATE	APPROVED

(PRESSURE RELIEF)
↑
AIR FLOW 'P'
↓
AIR FLOW 'V'
(VACUUM RELIEF)



FITTING OPTION: -0
NO MOUNTING HARDWARE
(FOR INSTALLATION INTO A THREADED HOLE)



FITTING OPTION: -1
MOUNTING FLANGE

FOR VALVE AND CARTRIDGE DIMENSIONS,
SEE FITTING OPTION -0 FIGURE.

SIZE	FSCM NO.	DWG. NO.	REV
C	08992	TA225-PVDLF	-
SCALE	NONE	SHEET	2

4

3

2

1

4

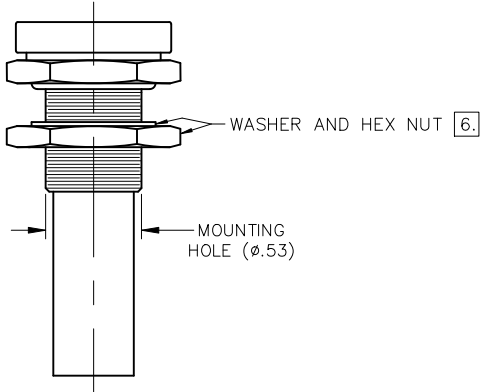
3

2

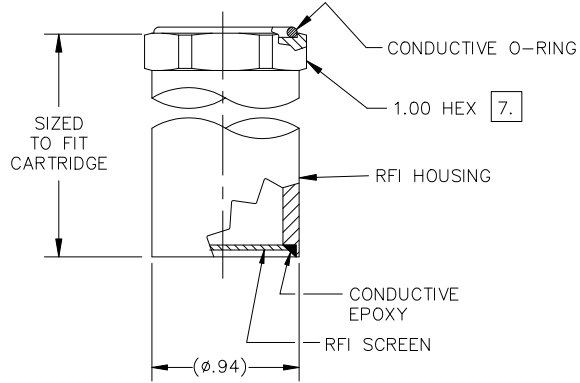
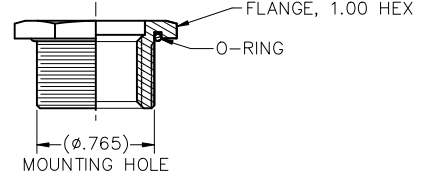
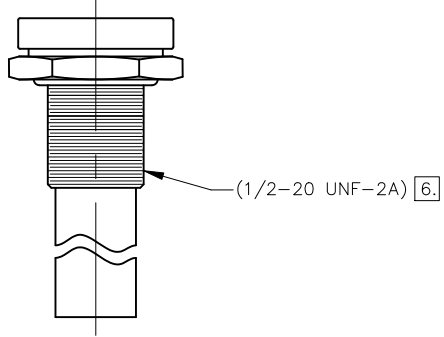
1

REVISIONS				
ZONE	LTR.	DESCRIPTION	DATE	APPROVED

AIR FLOW 'P' (PRESSURE RELIEF)
 AIR FLOW 'V' (VACUUM RELIEF)



FITTING OPTION: -2
 HEX NUT AND WASHER.
 FOR VALVE AND CARTRIDGE DIMENSIONS,
 SEE FITTING OPTION -0 FIGURE.



FITTING OPTION: -3
 MOUNTING FLANGE AND RFI SHIELD.
 FOR VALVE AND CARTRIDGE DIMENSIONS,
 SEE FITTING OPTION -0 FIGURE.

SIZE	FSCM NO.	DWG. NO.	REV
C	08992	TA225-PVDLF	-
SCALE	NONE	SHEET	3

4

3

2

1

REVISIONS				
ZONE	LTR.	DESCRIPTION	DATE	APPROVED

OMIT -R IN PART NUMBER FOR SOLID WEATHER SHIELD.

DASH NUMBERS FOR PRESSURE AND VACUUM SIDE MAY BE USED IN ANY COMBINATION (E.G., TA225-05-15).

CONTACT AGM FOR AVAILABILITY OF SETTINGS IN ADDITION TO THOSE SHOWN BELOW.

CRACKING VALVE PERFORMANCE

PART NUMBER	PRESSURE SIDE (FLOW OUT)			VACUUM SIDE (FLOW IN)		
	CRACKING PRESSURE RANGE (PSID)	RESEAL PRESSURE AFTER CRACK, MIN (PSID)	MINIMUM FLOW RATE (SLPM BY PSID)	CRACKING PRESSURE RANGE (PSID)	RESEAL PRESSURE AFTER CRACK, MIN (PSID)	MINIMUM FLOW RATE (SLPM BY PSID)
TA225-025C-025C-R-DL-F	0.10-0.40	0.10	3.0 BY 1.75	0.10-0.40	0.10	5 BY 1.75
TA225-10C-10C-R-DL-F	0.75-1.25	0.50	3.0 BY 2.50	0.75-1.25	0.50	7 BY 2.50

RESEAL VALVE PERFORMANCE

PART NUMBER	PRESSURE SIDE (FLOW OUT)			VACUUM SIDE (FLOW IN)		
	CRACKING PRESSURE RANGE (PSID)	RESEAL PRESSURE AFTER CRACK, MIN (PSID)	MINIMUM FLOW RATE (SLPM BY PSID)	CRACKING PRESSURE RANGE (PSID)	RESEAL PRESSURE AFTER CRACK, MIN (PSID)	MINIMUM FLOW RATE (SLPM BY PSID)
TA225-05-05-R-DL-F	0.50-1.00	0.50	2.5 BY 2.00	0.50-1.00	0.50	4.0 BY 2.00
TA225-10-10-R-DL-F	1.00-1.50	1.00	3.0 BY 2.50	1.00-1.50	1.00	7.0 BY 2.50
TA225-15-15-R-DL-F	1.50-2.00	1.50	4.5 BY 3.00	1.50-2.00	1.50	6.0 BY 3.00
TA225-20-20-R-DL-F	2.00-3.00	2.00	2.0 BY 3.50	2.00-3.00	2.00	4.0 BY 3.50
TA225-25-25-R-DL-F	2.50-3.50	2.50	2.5 BY 4.00	2.50-3.50	2.50	7.5 BY 4.00
TA225-30-30-R-DL-F	3.00-4.00	3.00	1.5 BY 4.50	3.00-4.00	3.00	7.5 BY 4.50
TA225-35-35-R-DL-F	3.50-4.50	3.50	1.5 BY 5.00	3.50-4.50	3.50	7.5 BY 5.00
TA225-40-40-R-DL-F	4.00-5.00	4.00	1.5 BY 5.50	4.00-5.00	4.00	7.5 BY 5.50
TA225-45-45-R-DL-F	4.50-5.50	4.50	1.5 BY 6.00	4.50-5.50	4.50	7.5 BY 6.00
TA225-50-50-R-DL-F	5.00-6.00	5.00	2.0 BY 6.50	5.00-6.00	5.00	7.5 BY 6.50

SIZE C	FSCM NO. 08992	DWG. NO. TA225-PVDLF	REV -
SCALE NONE	SHEET 4		

4

3

2

1