

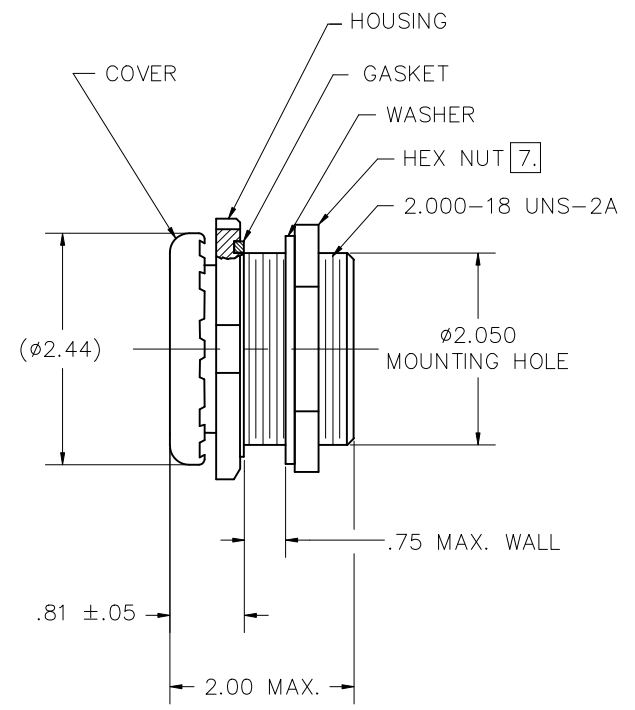
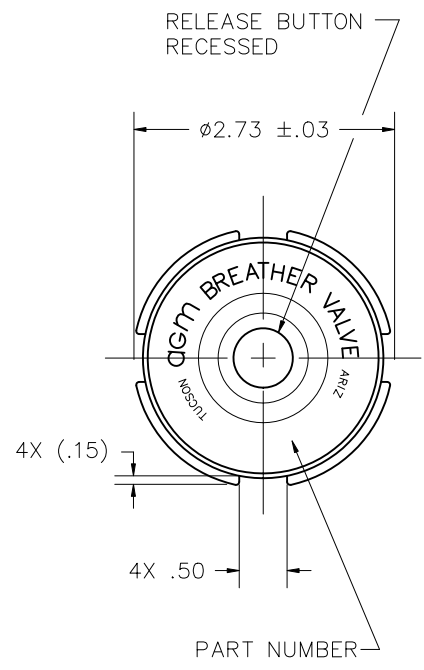
REVISIONS				
ZONE	LTR.	DESCRIPTION	DATE	APPROVED
			APPROVED By Eric Zuercher at 12:15 pm, Mar 15, 2021	

NOTES UNLESS OTHERWISE SPECIFIED:

- NOMENCLATURE: VALVE, BREATHER, TWO-WAY RELIEF WITH MANUAL RELEASE BUTTON.
- APPLICABLE SPECIFICATION: SAE AS27166, TYPE III, WITH MODIFIED PERFORMANCE AS SHOWN IN TABLES ON SHEETS 2 AND 3.
- PERFORMANCE: SEE TABLES ON SHEETS 2 AND 3.
- MATERIALS:
 - HOUSING AND HEX NUT: ALUMINUM DIE CASTING IAW ASTM-B85 ALLOY SCII4A.
 - WASHER AND COVER: ALUMINUM ALLOY.
 - GASKET AND INTERNAL SEALS (NOT SHOWN): SILICONE RUBBER IAW A-A-59588.
- HOUSING, WASHER, AND HEX NUT FINISH: ANODIZE IAW MIL-A-8625, TYPE II, CLASS 1. (DARK COLOR DUE TO ALLOY).
- THE FOLLOWING ITEMS FURNISHED AS PART OF THIS ASSEMBLY MAY BE PURCHASED SEPARATELY:

P/N 500016-6	WASHER
500080	GASKET
770014-16	HEX NUT

[7.] RECOMMENDED INSTALLATION TORQUE: 80-90 IN-LBS.



AIR FLOW "P" ← (OUT OF CONTAINER)
 AIR FLOW "V" → (INTO CONTAINER)

				INTERPRET DIMENSIONS AND TOLERANCES IAW ASME Y14.5M-1994 UNLESS OTHERWISE SPECIFIED DIMENSIONS ARE IN INCHES TOLERANCES: DECIMALS .XX $\pm .015$.XXX $\pm .010$ ANGLES $\pm .5^\circ$		CONTRACT DRAWN M.ONTIVEROS DATE 6-23-15 CHECK E.ZUERCHER DATE 7-28-15 APPROVED E.ZUERCHER DATE 7-28-15 MANUFACTURING	
DO NOT SCALE DRAWING				FINISH		CUSTOMER	
FINAL				[5.]			
PART DASH NO.	NEXT QTY. REQ'D PER ASSY.	FINAL	NEXT ASSY.	USED ON	SIMILAR TO	ACT. WT.	CALC. WT.
APPLICATION							

AGM CONTAINER CONTROLS, INC. P.O. BOX 40020 - TUCSON, ARIZONA 85717-0020			
VALVE, BREATHER			
SIZE C	FSCM NO. 08992	DWG. NO. TA770-R	REV C
SCALE 1/1	RELEASE DATE	SHEET 1 OF 3	

4

3

2

1

REVISIONS

ZONE	LTR.	DESCRIPTION	DATE	APPROVED

RESEAL VALVE PERFORMANCE

PART NUMBER	PRESSURE SIDE (FLOW OUT)			VACUUM SIDE (FLOW IN)		
	CRACKING PRESSURE RANGE (PSID)	RESEAL PRESSURE AFTER CRACK, MIN (PSID)	MINIMUM FLOW RATE (SCFM BY PSID)	CRACKING PRESSURE RANGE (PSID)	RESEAL PRESSURE AFTER CRACK, MIN (PSID)	MINIMUM FLOW RATE (SCFM BY PSID)
TA770-025-025-R	0.25-0.75	0.25	21 BY 1.75	0.25-0.75	0.25	26 BY 1.75
TA770-025-10-R	0.25-0.75	0.25	20 BY 1.75	1.00-1.50	1.00	23 BY 2.50
TA770-025-15-R	0.25-0.75	0.25	20 BY 1.75	1.50-2.25	1.50	21 BY 3.00
TA770-05-05-R	0.50 -1.00	0.50	20 BY 2.00	0.50 -1.00	0.50	25 BY 2.00
TA770-05-10-R	0.50 -1.00	0.50	20 BY 2.00	1.00-1.50	1.00	23 BY 2.50
TA770-05-15-R	0.50 -1.00	0.50	20 BY 2.00	1.50-2.25	1.50	21 BY 3.00
TA770-05-20-R	0.50 -1.00	0.50	20 BY 2.00	2.00-3.00	2.00	19 BY 3.50
TA770-05-25-R	0.50 -1.00	0.50	20 BY 2.00	2.50-3.50	2.50	17 BY 4.00
TA770-05-30-R	0.50 -1.00	0.50	20 BY 2.00	3.00-4.00	3.00	15 BY 4.50
TA770-10-05-R	1.00-1.50	1.00	18 BY 2.50	0.50 -1.00	0.50	25 BY 2.00
TA770-10-10-R	1.00-1.50	1.00	18 BY 2.50	1.00-1.50	1.00	23 BY 2.50
TA770-10-15-R	1.00-1.50	1.00	18 BY 2.50	1.50-2.25	1.50	21 BY 3.00
TA770-10-20-R	1.00-1.50	1.00	18 BY 2.50	2.00-3.00	2.00	19 BY 3.50
TA770-10-25-R	1.00-1.50	1.00	18 BY 2.50	2.50-3.50	2.50	17 BY 4.00
TA770-10-30-R	1.00-1.50	1.00	18 BY 2.50	3.00-4.00	3.00	15 BY 4.50
TA770-10-50-R	1.00-1.50	1.00	18 BY 2.50	5.00-6.00	5.00	10 BY 8.50
TA770-15-05-R	1.50-2.25	1.50	16 BY 3.00	0.50 -1.00	0.50	25 BY 2.00
TA770-15-10-R	1.50-2.25	1.50	16 BY 3.00	1.00-1.50	1.00	23 BY 2.50
TA770-15-15-R	1.50-2.25	1.50	16 BY 3.00	1.50-2.25	1.50	21 BY 3.00
TA770-15-20-R	1.50-2.25	1.50	16 BY 3.00	2.00-3.00	2.00	19 BY 3.50
TA770-15-25-R	1.50-2.25	1.50	16 BY 3.00	2.50-3.50	2.50	17 BY 4.00
TA770-15-30-R	1.50-2.25	1.50	16 BY 3.00	3.00-4.00	3.00	15 BY 4.50
TA770-20-05-R	2.00-3.00	2.00	14 BY 3.50	0.50 -1.00	0.50	25 BY 2.00
TA770-20-10-R	2.00-3.00	2.00	14 BY 3.50	1.00-1.50	1.00	23 BY 2.50
TA770-20-15-R	2.00-3.00	2.00	14 BY 3.50	1.50-2.25	1.50	21 BY 3.00
TA770-20-20-R	2.00-3.00	2.00	14 BY 3.50	2.00-3.00	2.00	19 BY 3.50
TA770-20-25-R	2.00-3.00	2.00	14 BY 3.50	2.50-3.50	2.50	17 BY 4.00
TA770-20-30-R	2.00-3.00	2.00	14 BY 3.50	3.00-4.00	3.00	15 BY 4.50
TA770-25-05-R	2.50-3.50	2.50	12 BY 4.00	0.50 -1.00	0.50	25 BY 2.00
TA770-25-10-R	2.50-3.50	2.50	12 BY 4.00	1.00-1.50	1.00	23 BY 2.50
TA770-25-15-R	2.50-3.50	2.50	12 BY 4.00	1.50-2.25	1.50	21 BY 3.00
TA770-25-20-R	2.50-3.50	2.50	12 BY 4.00	2.00-3.00	2.00	19 BY 3.50
TA770-25-25-R	2.50-3.50	2.50	12 BY 4.00	2.50-3.50	2.50	17 BY 4.00
TA770-25-30-R	2.50-3.50	2.50	12 BY 4.00	3.00-4.00	3.00	15 BY 4.50

TABLE CONTINUED ON SHEET 3

SIZE C	FSCM NO. 08992	DWG. NO. TA770-R	REV C
SCALE NONE	SHEET 2		

4

3

2

1

4

3

2

1

TABLE CONTINUED FROM SHEET 2

REVISIONS

ZONE

LTR.

DESCRIPTION

DATE

APPROVED

RESEAL VALVE PERFORMANCE

PART NUMBER	PRESSURE SIDE (FLOW OUT)			VACUUM SIDE (FLOW IN)		
	CRACKING PRESSURE RANGE (PSID)	RESEAL PRESSURE AFTER CRACK, MIN (PSID)	MINIMUM FLOW RATE (SCFM BY PSID)	CRACKING PRESSURE RANGE (PSID)	RESEAL PRESSURE AFTER CRACK, MIN (PSID)	MINIMUM FLOW RATE (SCFM BY PSID)
TA770-30-05-R	3.00-4.00	3.00	10 BY 4.50	0.50 -1.00	0.50	25 BY 2.00
TA770-30-10-R	3.00-4.00	3.00	10 BY 4.50	1.00-1.50	1.00	23 BY 2.50
TA770-30-15-R	3.00-4.00	3.00	10 BY 4.50	1.50-2.25	1.50	21 BY 3.00
TA770-30-20-R	3.00-4.00	3.00	10 BY 4.50	2.00-3.00	2.00	19 BY 3.50
TA770-30-25-R	3.00-4.00	3.00	10 BY 4.50	2.50-3.50	2.50	17 BY 4.00
TA770-30-30-R	3.00-4.00	3.00	10 BY 4.50	3.00-4.00	3.00	15 BY 4.50
TA770-35-05-R	3.50-4.50	3.50	8 BY 5.00	0.50 -1.00	0.50	25 BY 2.00
TA770-35-35-R	3.50-4.50	3.50	8 BY 5.00	3.50-4.50	3.50	10 BY 5.00
TA770-45-10-R	4.50-6.00	4.50	10 BY 7.50	1.00-1.50	1.00	23 BY 2.50
TA770-45-45-R	4.50-6.00	4.50	10 BY 7.50	4.50-6.00	4.50	10 BY 7.50
TA770-50-05-R	5.00-6.50	5.00	10 BY 8.50	0.50 -1.00	0.50	25 BY 2.00
TA770-50-10-R	5.00-6.50	5.00	10 BY 8.50	1.00-1.50	1.00	23 BY 2.50
TA770-50-35-R	5.00-6.50	5.00	10 BY 8.50	3.50-5.00	3.50	13 BY 5.50
TA770-50-50-R	5.00-6.50	5.00	10 BY 8.50	5.00-6.50	5.00	10 BY 8.50
TA770-55-55-R	5.50-7.00	5.50	10 BY 9.00	5.50-7.00	5.50	10 BY 9.00

CRACKING VALVE PERFORMANCE

PART NUMBER	PRESSURE SIDE (FLOW OUT)			VACUUM SIDE (FLOW IN)		
	CRACKING PRESSURE RANGE (PSID)	RESEAL PRESSURE AFTER CRACK, MIN (PSID)	MINIMUM FLOW RATE (SCFM BY PSID)	CRACKING PRESSURE RANGE (PSID)	RESEAL PRESSURE AFTER CRACK, MIN (PSID)	MINIMUM FLOW RATE (SCFM BY PSID)
TA770-005C-005C-R	0.00-0.10	N/R	5 BY 0.30	0.00-0.10	N/R	5 BY 0.30
TA770-01C-01C-R	0.05-0.12	N/R	4 BY 0.40	0.05-0.12	N/R	4 BY 0.40
TA770-025C-025C-R	0.15-0.35	0.05	12 BY 0.75	0.15-0.35	0.05	14 BY 0.75
TA770-05C-05C-R	0.25-0.75	0.10	20 BY 1.75	0.25-0.75	0.10	25 BY 1.75
TA770-075C-075C-R	0.50-1.00	0.25	20 BY 2.00	0.50-1.00	0.25	25 BY 2.00
TA770-10C-05C-R	0.75-1.25	0.50	20 BY 2.00	0.25-0.75	0.10	25 BY 2.00
TA770-10C-10C-R	0.75-1.25	0.50	20 BY 2.00	0.75-1.25	0.50	20 BY 2.00
TA770-12C-12C-R	0.95-1.45	0.70	18 BY 2.20	0.95-1.45	0.70	23 BY 2.20
TA770-13C-13C-R	1.10-1.50	0.80	20 BY 2.80	1.10-1.50	0.80	20 BY 2.80
TA770-15C-15C-R	1.30-1.70	1.00	20 BY 3.00	1.30-1.70	1.00	20 BY 3.00
TA770-15C-30C-R	1.30-1.70	1.00	20 BY 3.00	2.70-3.30	2.50	15 BY 4.50
TA770-20C-20C-R	1.75-2.25	1.50	16 BY 3.00	1.75-2.25	1.50	21 BY 3.00
TA770-25C-25C-R	2.25-2.75	1.75	14 BY 3.50	2.25-2.75	1.75	19 BY 3.50
TA770-30C-30C-R	2.70-3.30	2.50	10 BY 4.50	2.70-3.30	2.50	15 BY 4.50
TA770-30C-45C-R	2.70-3.30	2.50	10 BY 4.50	4.00-5.00	3.50	10 BY 6.00
TA770-50C-20C-R	4.50-5.20	3.50	10.5 BY 7.00	1.75-2.25	1.50	21 BY 3.00
TA770-50C-50C-R	4.50-5.20	3.50	10.5 BY 7.00	4.50-5.20	3.50	10.5 BY 7.00

SIZE C	FSCM NO. 08992	DWG. NO. TA770-R	REV C
SCALE NONE	SHEET 3		

4

3

2

1