

4

3

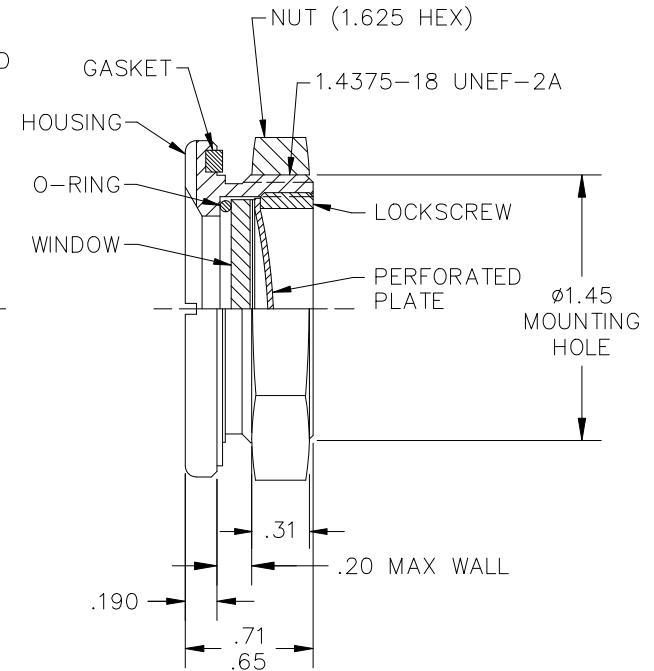
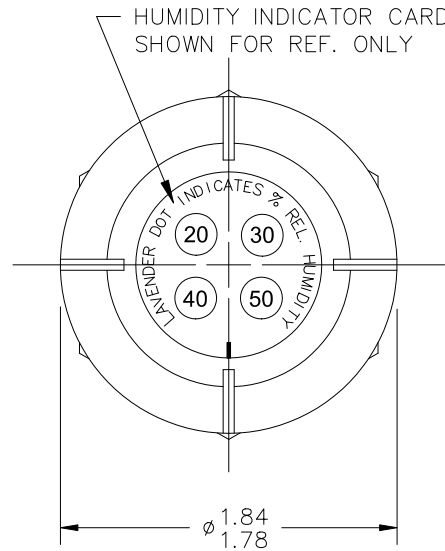
2

1

NOTES UNLESS OTHERWISE SPECIFIED:

1. APPLICABLE SPECIFICATION: SAE AS26860 TYPE II. PART NUMBER TA396-2345S ADDITIONALLY MEETS MS18013-1.
2. SEE TABLE ON SHEET 2 FOR PART NUMBERS.
3. RELATIVE HUMIDITY OF AIR IN CONTAINER IS INDICATED BY SEGMENTS. A BLUE SEGMENT INDICATES RH IS LESS THAN NUMBER IN SEGMENT. PINK OR LAVENDER INDICATES RH IS EQUAL TO OR GREATER THAN NUMBER IN SEGMENT. COLOR CHANGE IS REVERSIBLE UNDER NORMAL CONDITIONS.
4. MATERIALS:
  - 4.1 HOUSING, NUT, PERFORATED PLATE, AND LOCKSCREW: ALUMINUM ALLOYS.
  - 4.2 GASKET AND O-RING: SYNTHETIC RUBBER PER MIL-PRF-6855, CLASS II, GRADE 60.
  - 4.3 WINDOW: BOROSILICATE GLASS PER MIL-DTL-7989.
  - 4.4 HUMIDITY INDICATOR CARD: CHEMICALLY IMPREGNATED BLOTTER PAPER PER MIL-I-8835.
5. FINISH: ALUMINUM ALLOYS CLEAR ANODIZED IAW MIL-A-8625, TYPE II, CLASS 1.
6. RECOMMENDED INSTALLATION TORQUE: 40-50 IN-LBS.

REVISIONS				
ZONE	LTR.	DESCRIPTION	DATE	APPROVAL
				<b>APPROVED</b> By Eric Zuercher at 8:45 am, Feb 17, 2021



				INTERPRET DIMENSIONS AND TOLERANCES IAW ANSI Y14.5M-1982		CONTRACT NO.		AGM CONTAINER CONTROLS, INC.			
				UNLESS OTHERWISE SPECIFIED DIMENSIONS ARE IN INCHES		DRAWN M.ONTIVEROS		DATE 2-17-16		P.O. BOX 40020 - TUCSON, ARIZONA 85717-0020	
				TOLERANCES: DECIMALS .XX ±.02 .XXX ±.010 ANGLES ±.5°		CHECK E.ZUERCHER		DATE 2-23-16		TITLE HUMIDITY INDICATOR	
				DO NOT SCALE DRAWING		APPROVED E.ZUERCHER		DATE 2-23-16		SIZE B	
				FINISH 5.		MANUFACTURING				FSCM NO. 08992	
				SIMILAR TO		CUSTOMER				DWG. NO. TA396	
				ACT. WT.						REV. B	
				CALC. WT.						SCALE NONE	
										RELEASE DATE	
										SHEET 1 OF 2	

4

3

2

1

4

3

2

1

REVISIONS				
ZONE	LTR.	DESCRIPTION	DATE	APPROVAL

## PART NUMBER TABLE

PART NUMBER	STANDARD ITEM	INDICATED HUMIDITY PERCENTAGE(S)	SEGMENT TYPE	ADDITIONAL TEXT ON CARD	REPLACEMENT CARD PART NUMBER
TA396-2345S**	YES	20, 30, 40, 50	PIE SHAPE	LAVENDER DOT INDICATES % REL HUMIDITY	TA346-HC-2345S
TA396-2345P	NO	20, 30, 40, 50	PIE SHAPE	LAVENDER INDICATES HUMIDITY	TA346-HC-2345P
TA396-123P	NO	10, 20, 30	PIE SHAPE	LAVENDER INDICATES HUMIDITY	TA346-HC-123P
TA396-234P	NO	20, 30, 40	PIE SHAPE	LAVENDER INDICATES HUMIDITY	TA346-HC-234P
TA396-345P	NO	30, 40, 50	PIE SHAPE	LAVENDER INDICATES HUMIDITY	TA346-HC-345P
TA396-3456P	NO	30, 40, 50, 60	PIE SHAPE	LAVENDER INDICATES HUMIDITY	TA346-HC-3456P
TA396-246P	NO	20, 40, 60	PIE SHAPE	LAVENDER INDICATES HUMIDITY	TA346-HC-246P
TA396-357P	NO	30, 50, 70	PIE SHAPE		TA346-HC-357P
TA396-40	NO	40	WHOLE CARD	REPRESERVE WHEN PINK	TA346-HC-40
TA396-60	NO	60	WHOLE CARD	REPRESERVE WHEN PINK	TA346-HC-60

\*\*PART NUMBER TA396-2345S CONFORMS TO MS18013-1 PER AS18013 RATHER THAN REQUIREMENTS ON SHEET 1 OF THIS DRAWING. NO OTHER TA396 PART NUMBER CONFORMS TO MS18013-1.

SIZE	FSCM NO.	DWG. NO.	REV.
B	08992	TA396	B
SCALE	NONE	SHEET	2

4

3

2

1