

4

3

2

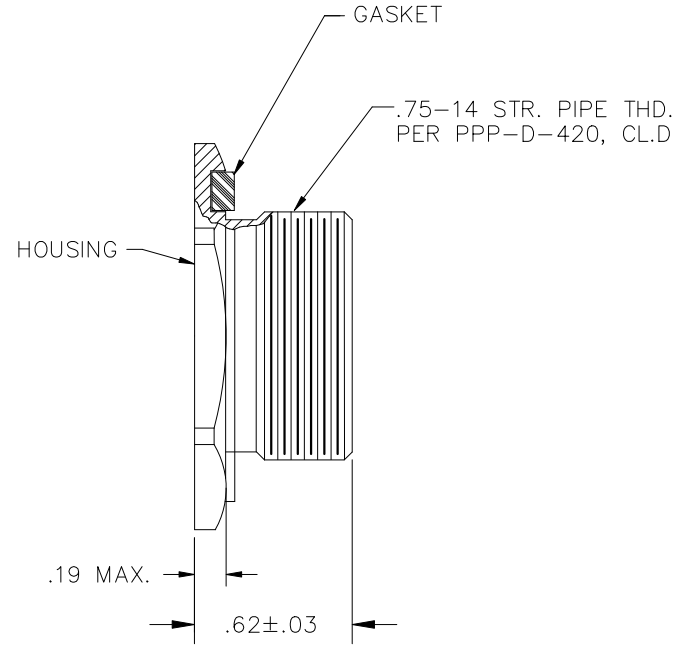
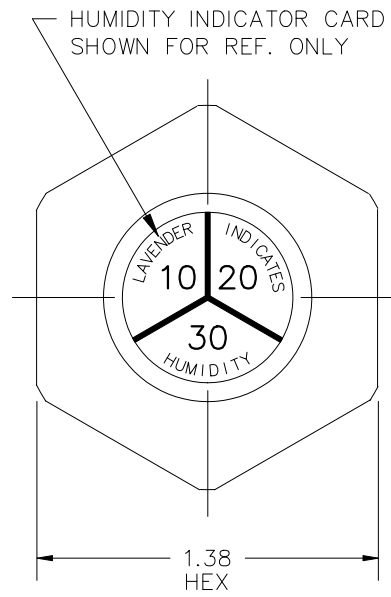
1

NOTES UNLESS OTHERWISE SPECIFIED:

- 1. THIS HUMIDITY INDICATOR MEETS THE REQUIREMENTS OF SAE AS26860, TYPE II WITHOUT LOCKING DEVICE, AS APPLICABLE.
- 2. SEE TABLE ON SHEET 2 FOR PART NUMBERS.
- 3. RELATIVE HUMIDITY OF AIR IN CONTAINER IS INDICATED BY SEGMENTS. A BLUE SEGMENT INDICATES RH IS LESS THAN NUMBER IN SEGMENT. PINK OR LAVENDER INDICATES RH IS EQUAL TO OR GREATER THAN NUMBER IN SEGMENT. COLOR CHANGE IS REVERSIBLE UNDER NORMAL CONDITIONS.
- 4. MATERIALS:
 - 4.1 HOUSING, AND LOCKSCREW (NOT SHOWN): BRASS IAW ASTM B16.
 - 4.2 GASKET: SYNTHETIC RUBBER PER MIL-PRF-6855, CLASS 2, GRADE 60.
 - 4.3 WINDOW: PLEXIGLAS IAW MIL-PRF-5425.
 - 4.4 HUMIDITY INDICATOR CARD: CHEMICALLY IMPREGNATED BLOTTER PAPER PER MIL-I-8835.
- 5. FINISH: ZINC PLATED IAW ASTM B633, ROHS-COMPLIANT.
- 6. RECOMMENDED INSTALLATION TORQUE: 30-40 IN-LBS.

REVISIONS				
ZONE	LTR.	DESCRIPTION	DATE	APPROVAL

APPROVED
By Eric Zuercher at 9:02 am, Feb 09, 2018



				INTERPRET DIMENSIONS AND TOLERANCES IAW ANSI Y14.5M-1982		CONTRACT NO.		AGM CONTAINER CONTROLS, INC.			
				UNLESS OTHERWISE SPECIFIED DIMENSIONS ARE IN INCHES		DRAWN M.ONTIVEROS		DATE 5-6-16		P.O. BOX 40020 - TUCSON, ARIZONA 85717-0020	
				DECIMALS .XX ±.02 .XXX ±.010		CHECK E.ZUERCHER		DATE 5-10-16		TITLE HUMIDITY INDICATOR	
				TOLERANCES: ANGLES ±.5°		APPROVED E.ZUERCHER		DATE 5-10-16		SIZE B	
				DO NOT SCALE DRAWING		MANUFACTURING				FSCM NO. 08992	
				FINISH 5.						DWG. NO. TA351	
				SIMILAR TO		CUSTOMER				REV. A	
				ACT. WT.						SCALE NONE	
				CALC. WT.						RELEASE DATE	
				APPLICATION						SHEET 1 OF 2	

4

3

2

1

4

3

2

1

REVISIONS				
ZONE	LTR.	DESCRIPTION	DATE	APPROVAL

PART NUMBER TABLE

PART NUMBER	STANDARD ITEM	INDICATED HUMIDITY PERCENTAGE	SEGMENT TYPE	ADDITIONAL TEXT ON CARD	REPLACEMENT CARD PART NUMBER
TA351-123P	YES	10,20,30	PIE SHAPE	LAVENDER INDICATES HUMIDITY	TA356-HC-123P
TA351-234P	YES	20,30,40	PIE SHAPE	LAVENDER INDICATES HUMIDITY	TA356-HC-234P
TA351-2345S	NO	20, 30, 40, 50	CIRCLES	LAVENDER DOT INDICATES % REL HUMIDITY	TA356-HC-2345S
TA351-2345P	YES	20, 30, 40, 50	PIE SHAPE	LAVENDER INDICATES HUMIDITY	TA356-HC-2345P
TA351-246P	YES	20, 40, 60	PIE SHAPE	LAVENDER INDICATES HUMIDITY	TA356-HC-246P
TA351-345S	NO	30,40,50	CIRCLES	LAVENDER DOT INDICATES % REL HUMIDITY	TA356-HC-345S
TA351-345P	YES	30,40,50	PIE SHAPE	LAVENDER INDICATES HUMIDITY	TA356-HC-345P
TA351-3456P	YES	30,40,50,60	PIE SHAPE	LAVENDER INDICATES HUMIDITY	TA356-HC-3456P
TA351-456P	YES	40, 50, 60	PIE SHAPE	LAVENDER INDICATES HUMIDITY	TA356-HC-456P
TA351-40	YES	40	WHOLE	REPRESERVE WHEN PINK	TA356-HC-40

SIZE	FSCM NO.	DWG. NO.	REV.
B	08992	TA351	A
SCALE	NONE	SHEET	2

4

3

2

1