

4

3

2

1

NOTES UNLESS OTHERWISE SPECIFIED:

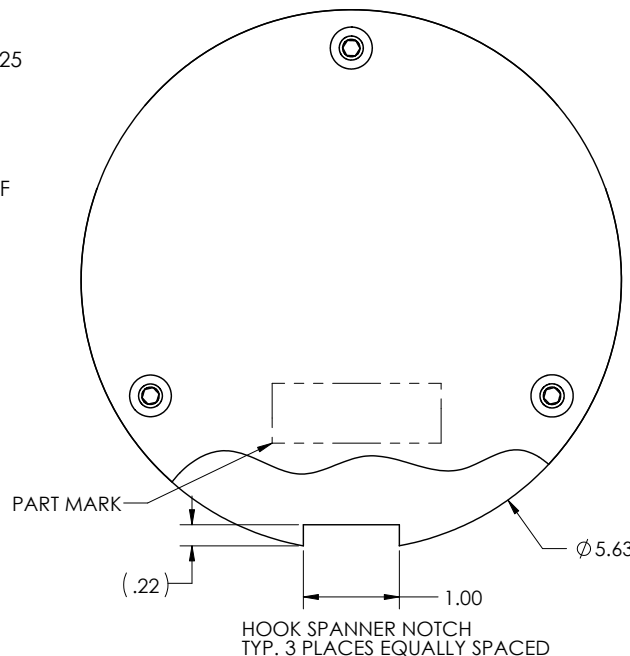
- 1. NOMENCLATURE: VALVE, BREATHER, ONE-WAY, HIGH FLOW.
- 2. PERFORMANCE: SEE TABLE.
- 3. MATERIAL:
 - 3.1 HOUSING, COVER, WASHER AND NUT: ALUMINUM ALLOYS.
 - 3.2 RETURN SPRING: PHOSPHOR BRONZE.
 - 3.3 GASKET AND INTERNAL SEAL (NOT SHOWN): SILICONE RUBBER.
 - 3.4 MAGNETS (NOT SHOWN): NEODYMIUM.
 - 3.5 FLOAT AND MAGNET RETAINER (NOT SHOWN): GLASS-FILLED POLYCARBONATE.
 - 3.6 COVER SCREWS: CRES.

- 4. FINISH
 - 4.1 ALUMINUM ALLOYS: ANODIZED IAW MIL-A-8625 TYPE II, CLASS 2, DYED BLACK.
 - 4.2 COVER SCREWS: BLACK OXIDE.
 - 4.3 MAGNETS: NI-CU-NI.

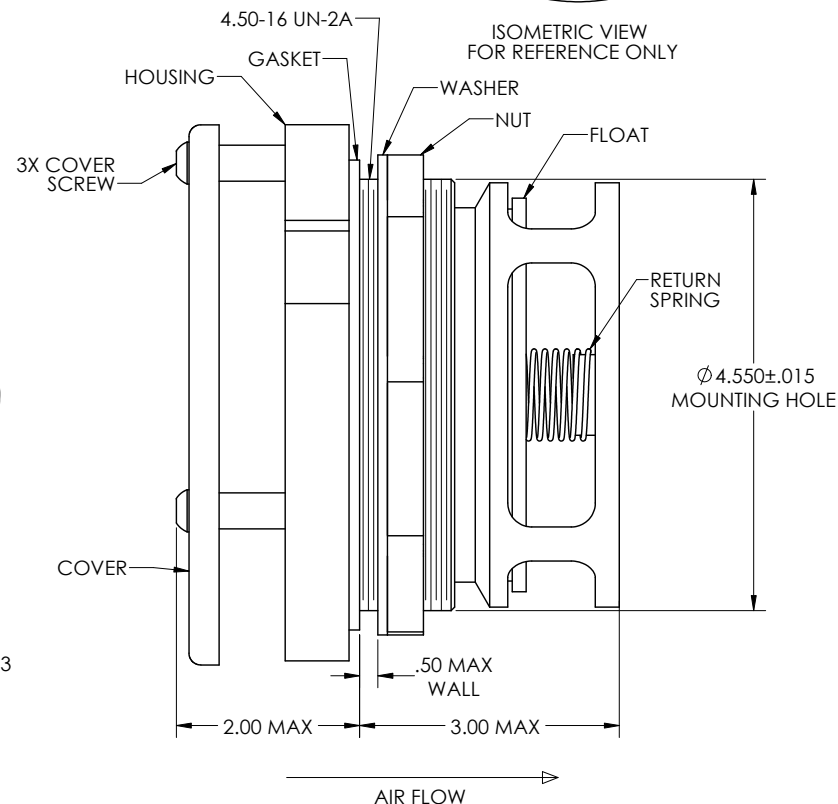
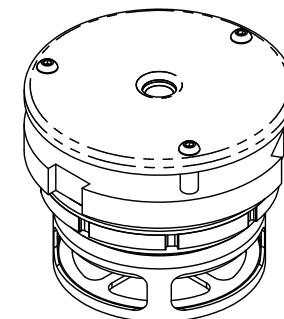
- 5. THE FOLLOWING ITEMS FURNISHED AS PART OF THIS ASSEMBLY MAY BE PURCHASED SEPARATELY:

P/N 796024-5 WASHER
 798011-201 GASKET
 796023-5 NUT

| PERFORMANCE | | |
|-------------|--------------------------------|----------------------------------|
| PART NUMBER | CRACKING PRESSURE RANGE (PSID) | MINIMUM FLOW RATE (SCFM BY PSID) |
| TA798-V-02C | 0.10-0.30 | 280 BY 0.50 |
| TA798-V-025 | 0.25-0.50 | 380 BY 0.75 |
| TA798-V-05 | 0.50-0.80 | 405 BY 1.00 |
| TA798-V-075 | 0.75-1.00 | 470 BY 1.25 |
| TA798-V-10 | 1.00-1.25 | 500 BY 1.50 |
| TA798-V-15 | 1.50-1.70 | 600 BY 2.00 |



| REVISIONS | | | | |
|-----------|------|-------------|------|--|
| ZONE | LTR. | DESCRIPTION | DATE | APPROVED |
| | | | | APPROVED By Eric Zuercher at 11:57 am, Oct 24, 2018 |



| | | | | | | | | |
|--|---------------------------|-------|------------|--|------------|----------|------------|----------|
| INTERPRET DIMENSIONS AND TOLERANCES IAW ANSI Y14.5M-1994 UNLESS OTHERWISE SPECIFIED DIMENSIONS ARE IN INCHES TOLERANCES: DECIMALS .XX ± .03, .XXX ± .015; ANGLES ± .5° DO NOT SCALE DRAWING | | | | CONTRACT DRAWN: R.FOREE, DATE: 5-6-16 CHECK: E.ZUERCHER, DATE: 5-9-16 APPROVED: E.ZUERCHER, DATE: 5-9-16 MANUFACTURING | | | | |
| PART DASH NO. | NEXT QTY. REQ'D PER ASSY. | FINAL | NEXT ASSY. | USED ON | SIMILAR TO | ACT. WT. | ISALC. WT. | CUSTOMER |
| APPLICATION | | | | | | | | |

| | | | |
|--|------------------------|--------------------------|---------------|
| CGM CONTAINER CONTROLS, INC. P.O. BOX 40020 - TUCSON, ARIZONA 85717-0020 | | | |
| HIGH FLOW VACUUM RELIEF VALVE | | | |
| SIZE: C | FSCM NO.: 08992 | DWG. NO.: TA798-V | REV: C |
| SCALE: 1/1 | RELEASE DATE: | SHEET: 1 OF 1 | |

4

3

2

1