

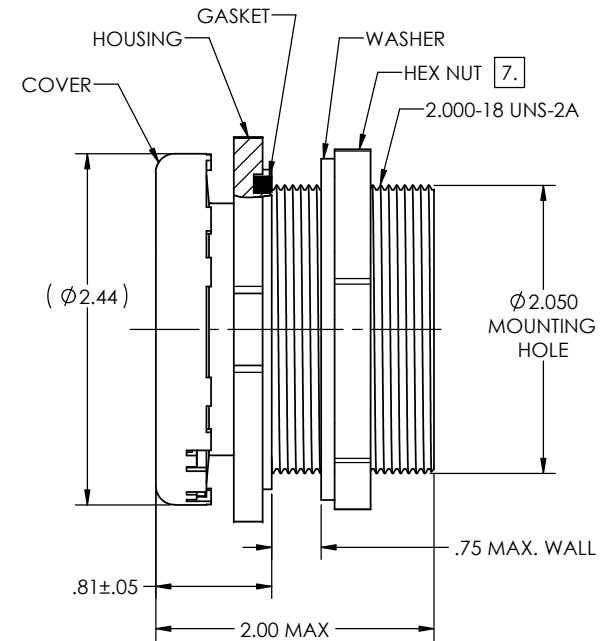
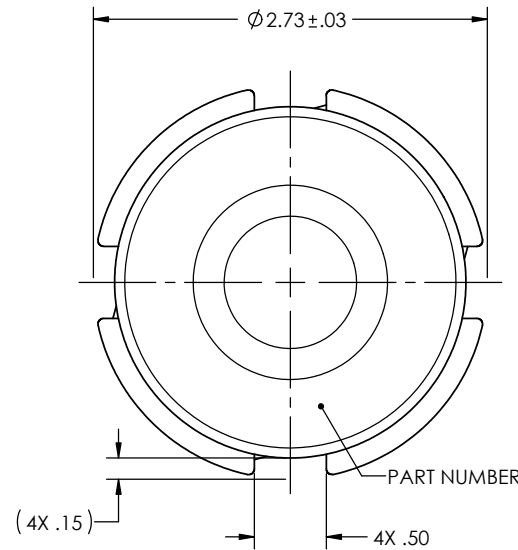
NOTES UNLESS OTHERWISE SPECIFIED:

1. NOMENCLATURE: AUTOMATIC ONE-WAY PRESSURE RELIEF VALVE.
2. APPLICABLE SPECIFICATION: SAE AS27166, TYPE II.
3. PERFORMANCE:
 - 3.1 AIR FLOW IN DIRECTION "P" (OUT OF CONTAINER): SEE TABLE BELOW.
 - 3.2 AIR FLOW IN DIRECTION "V" (INTO CONTAINER): THERE SHALL BE NO FLOW BELOW 15.0 PSID.
4. MATERIAL:
 - 4.1 HOUSING, HEX NUT, WASHER AND COVER: ALUMINUM ALLOY.
 - 4.2 GASKET AND INTERNAL SEALS (NOT SHOWN): SILICONE RUBBER IAW A-A-59588.

- [5.] FINISH:
- 5.1 HOUSING, HEX NUT, AND WASHER: ANODIZED IAW MIL-A-8625, TYPE II, CLASS 1 (DARK COLOR DUE TO ALLOY).
6. THE FOLLOWING ITEMS FURNISHED AS PART OF THIS ASSEMBLY MAY BE PURCHASED SEPARATELY.
- P/N 500016-16 WASHER
 500080 GASKET
 770014-16 HEX NUT

[7.] RECOMMENDED INSTALLATION TORQUE: 80-90 IN-LBS.

REVISIONS				
ZONE	LTR.	DESCRIPTION	DATE	APPROVED



AIR FLOW "P" ← (OUT OF CONTAINER)
 AIR FLOW "V" → (INTO CONTAINER)

VALVE PERFORMANCE			
PRESSURE SIDE (FLOW OUT)			
PART NUMBER	CRACKING PRESSURE RANGE (PSID)	RESEAL PRESSURE AFTER CRACK MIN (PSID)	MINIMUM FLOW RATE (SCFM BY PSID)
TA770-P-001	0.00-0.10	N/R	5 BY 0.30
TA770-P-025C	0.15-0.35	0.05	12 BY 0.75
TA770-P-025	0.25-0.75	0.25	21 BY 1.75
TA770-P-05C	0.25-0.75	0.10	20 BY 1.75
TA770-P-05	0.50-1.00	0.50	20 BY 2.00
TA770-P-10C	0.75-1.25	0.50	20 BY 2.00
TA770-P-10	1.00-1.50	1.00	18 BY 2.50
TA770-P-15C	1.30-1.70	1.00	20 BY 3.00
TA770-P-15	1.50-2.25	1.50	16 BY 3.00
TA770-P-20C	1.75-2.25	1.50	16 BY 3.00
TA770-P-20	2.00-3.00	2.00	14 BY 3.50
TA770-P-25	2.50-3.50	2.50	12 BY 4.00
TA770-P-30	3.00-4.00	3.00	10 BY 4.50
TA770-P-35	3.50-4.50	3.50	8 BY 5.00
TA770-P-40	4.00-5.00	4.00	9 BY 6.50
TA770-P-45	4.50-6.00	4.50	10 BY 7.50
TA770-P-50	5.00-6.50	5.00	10 BY 8.50
TA770-P-70	N/R	7.00	7.5 BY 10.5

INTERPRET DIMENSIONS AND TOLERANCES IAW ANSI Y14.5M-1994				CONTRACT	
UNLESS OTHERWISE SPECIFIED DIMENSIONS ARE IN INCHES				DRAWN R.CASAD DATE 11-29-18	
TOLERANCES: DECIMALS .XX ± .015 .XXX ± .010 ANGLES ± .5°				CHECK	
DO NOT SCALE DRAWING				APPROVED By Eric Zuercher at 8:28 am, Feb 11, 2019	
FINISH [5.]				MANUFACTURING	
PART DASH NO. NEXT FIN. QTY. REQ'D PER ASSY. NEXT ASSY. USED ON SIMILAR TO ACT. WT. CALC. WT.				CUSTOMER	

CGM CONTAINER CONTROLS, INC. P.O. BOX 40020 - TUCSON, ARIZONA 85717-0020			
TITLE VALVE, BREATHER			
SIZE C	FSCM NO. 08992	DWG. NO. TA770-P	REV -
SCALE 1.5/1	RELEASE DATE	SHEET 1 OF 1	