

4

3

2

1

REVISIONS				
ZONE	LTR.	DESCRIPTION	DATE	APPROVED

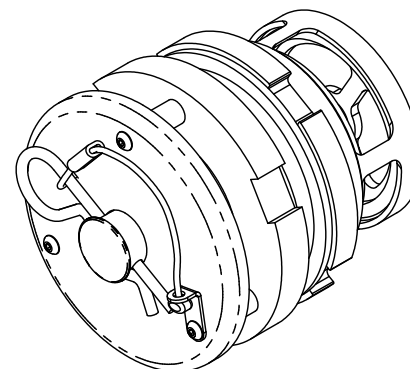
APPROVED
By Eric Zuercher at 11:10 am, Mar 08, 2019

NOTES UNLESS OTHERWISE SPECIFIED:

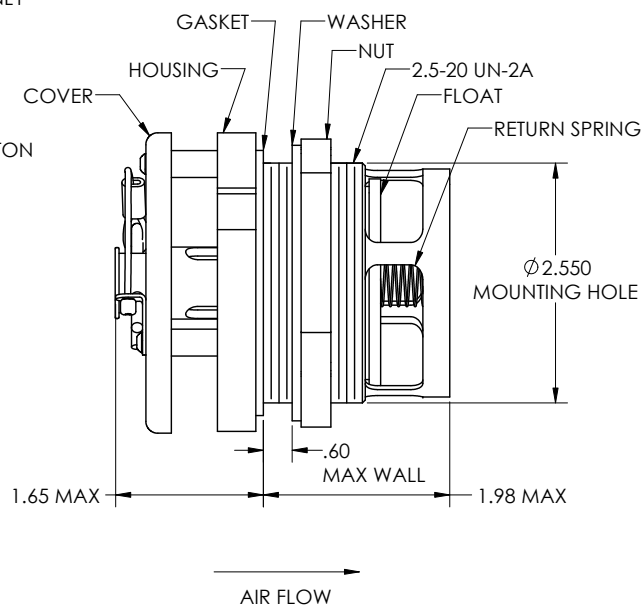
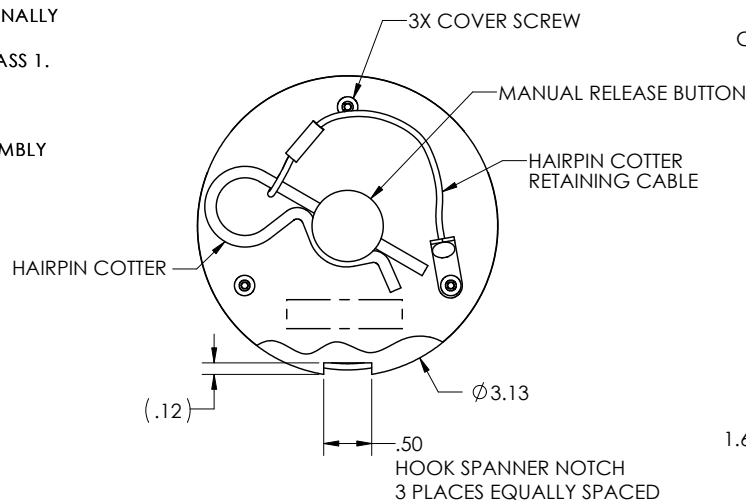
- NOMENCLATURE: VALVE, BREATHER WITH MANUAL RELEASE, ONE-WAY, HIGH FLOW.
- PERFORMANCE: SEE TABLE.
- MATERIALS:
 - HOUSING, COVER, RELEASE BUTTON, WASHER, AND HEX NUT: ALUMINUM ALLOYS.
 - RETURN SPRING: PHOSPHOR BRONZE.
 - GASKET AND INTERNAL SEAL (NOT SHOWN): SILICONE RUBBER.
 - MAGNETS (NOT SHOWN): NEODYMIUM.
 - FLOAT AND MAGNET RETAINER (NOT SHOWN): GLASS-FILLED POLYCARBONATE.
 - COVER SCREWS AND INTERNAL SPRING (NOT SHOWN): CRES
- FINISH:
 - HOUSING, COVER AND RELEASE BUTTON: ANODIZED IAW MIL-A-8625 TYPE II, CLASS 2, DYED BLACK. HOUSING ADDITIONALLY PTFE IMPREGNATED.
 - WASHER AND NUT: ANODIZE IAW MIL-A-8625, TYPE II, CLASS 1.
 - COVER SCREWS: BLACK OXIDE.
 - MAGNETS: NI-CU-NI

- THE FOLLOWING ITEMS FURNISHED AS PART OF THIS ASSEMBLY MAY BE PURCHASED SEPARATELY:

P/N	762004-16	WASHER
	762005-16	NUT
	762006	GASKET



ISOMETRIC VIEW
FOR REFERENCE ONLY



PERFORMANCE		
PART NUMBER	CRACKING PRESSURE RANGE (PSID)	MINIMUM FLOW RATE (SCFM BY PSID)
TA762-VR-01	0.10-0.30	60 BY 0.50
TA762-VR-025	0.25-0.50	85 BY 0.75
TA762-VR-05	0.50-0.75	105 BY 1.00
TA762-VR-075	0.75-1.00	120 BY 1.25
TA762-VR-10	1.00-1.25	115 BY 1.50

INTERPRET DIMENSIONS AND TOLERANCES IAW ANSI Y14.5M-1994				CONTRACT	
UNLESS OTHERWISE SPECIFIED DIMENSIONS ARE IN INCHES				DRAWN	
TOLERANCES:				DATE	
DECIMALS		ANGLES		R.FOREE	
.XX ± .03		± .5°		12-8-16	
.XXX ± .010				CHECK	
DO NOT SCALE DRAWING				E.ZUERCHER	
FINISH:				12-8-16	
				APPROVED	
				E.ZUERCHER	
				12-8-16	
				MANUFACTURING	
				CUSTOMER	
PART DASH NO.	NEXT QTY. REQ'D PER ASSY.	FINAL	NEXT ASSY.	USED ON	SIMILAR TO
APPLICATION			ACT. WT.	CALC. WT.	

CGM CONTAINER CONTROLS, INC.
P.O. BOX 40020 - TUCSON, ARIZONA 85717-0020

TITLE			
HIGH FLOW VACUUM RELIEF VALVE			
SIZE	FSCM NO.	DWG. NO.	REV
C	08992	TA762-VR	B
SCALE	RELEASE DATE	SHEET	1 OF 1
1/1			

4

3

2

1