

4

3

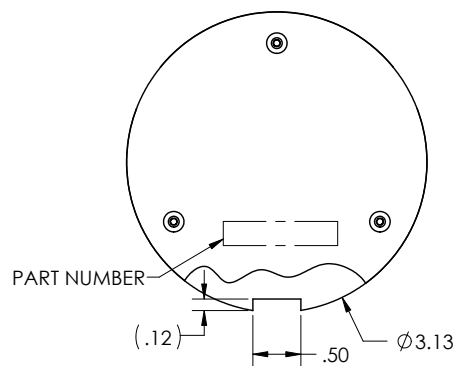
2

1

NOTES UNLESS OTHERWISE SPECIFIED:

1. NOMENCLATURE: VALVE, BREATHER, ONE-WAY, HIGH-FLOW.
2. PERFORMANCE: SEE TABLE.
3. MATERIAL:
  - 3.1 HOUSING, COVER, WASHER AND HEX NUT: ALUMINUM ALLOYS.
  - 3.2 RETURN SPRING: PHOSPHOR BRONZE.
  - 3.3 GASKET AND INTERNAL SEAL (NOT SHOWN): SILICONE RUBBER.
  - 3.4 MAGNETS (NOT SHOWN): NEODYMIUM.
  - 3.5 FLOAT AND MAGNET RETAINER (NOT SHOWN): GLASS-FILLED POLYCARBONATE.
  - 3.6 COVER SCREWS: CRES.
4. FINISH:
  - 4.1 HOUSING AND COVER: ANODIZED IAW MIL-A-8625 TYPE II, CLASS 2, DYED BLACK. HOUSING ADDITIONALLY PTFE IMPREGNATED.
  - 4.2 NUT AND WASHER: ANODIZED IAW MIL-A-8625 TYPE II, CLASS 1.
  - 4.3 COVER SCREWS: BLACK OXIDE.
  - 4.4 MAGNETS: NI-CU-NI.
5. THE FOLLOWING ITEMS FURNISHED AS PART OF THIS ASSEMBLY MAY BE PURCHASED SEPARATELY:

P/N	762004-16	WASHER
	762005-16	NUT
	762006	GASKET



HOOK SPANNER NOTCH  
TYP. 3 PLACES EQUALLY SPACED

REVISIONS				DATE	APPROVED
ZONE	LTR.	DESCRIPTION			
			APPROVED		By Eric Zuercher at 5:15 pm, Jul 12, 2016

ISOMETRIC VIEW  
FOR REFERENCE ONLY

PERFORMANCE			
PART NUMBER	CRACKING PRESSURE RANGE (PSID)	MINIMUM FLOW RATE (SCFM BY PSID)	
TA762-V-WO *	.002 MIN	40 BY 0.10	
TA762-V-01	0.10-0.30	65 BY 0.50	
TA762-V-025	0.25-0.50	95 BY 0.75	
TA762-V-05	0.50-0.75	115 BY 1.00	
TA762-V-075	0.75-1.00	125 BY 1.25	
TA762-V-10	1.00-1.25	140 BY 1.50	

INTERPRET DIMENSIONS AND TOLERANCES IAW ANSI Y14.5M-1994		CONTRACT		<b>CGM CONTAINER CONTROLS, INC.</b> <small>P.O. BOX 40020 - TUCSON, ARIZONA 85717-0020</small>	
UNLESS OTHERWISE SPECIFIED DIMENSIONS ARE IN INCHES TOLERANCES: DECIMALS: .XX ± .03, .XXX ± .010; ANGLES: ± .5°		DRAWN: R.FOREE, DATE: 4-20-16			
DO NOT SCALE DRAWING		CHECK: E.ZUERCHER, DATE: 5-9-16		<b>HIGH FLOW VACUUM RELIEF VALVE</b>	
FINISH:		APPROVED: E.ZUERCHER, DATE: 5-9-16		TITLE	
MANUFACTURING:		CUSTOMER:		SIZE: <b>C</b>	
PART DASH NO., NEXT, FINAL, NEXT ASSY., USED ON, SIMILAR TO, ACT. WT., CALC. WT.		FSCM NO.: <b>08992</b>		DWG. NO.: <b>TA762-V</b>	
APPLICATION		SCALE: 1/1		REV: <b>C</b>	
		RELEASE DATE:		SHEET: 1 OF 1	

\*PART NUMBER TA762-V-WO MUST BE ORIENTED WITH ITS AXIS HORIZONTAL

4

3

2

1