

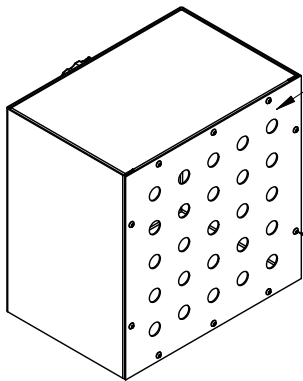
4

3

2

1

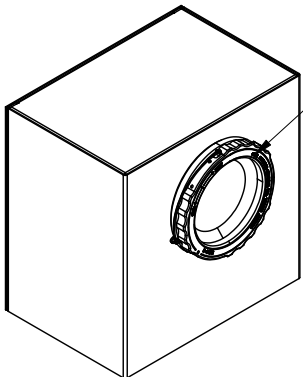
REVISIONS				
ZONE	LTR.	DESCRIPTION	DATE	APPROVAL



REMOVABLE FRONT PANEL

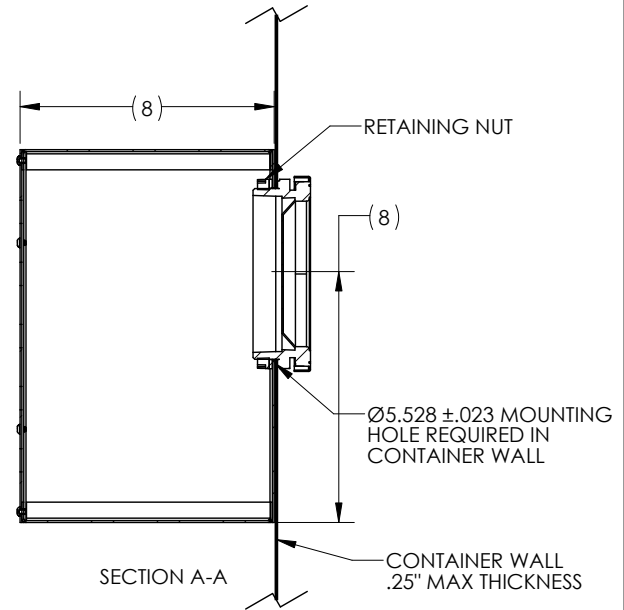
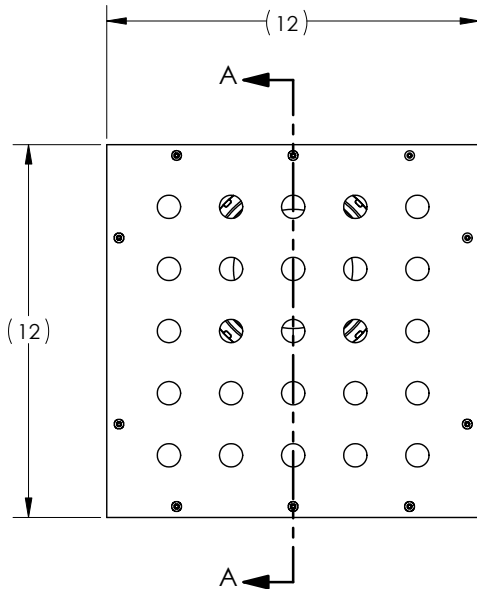
FRONT PANEL SECURED BY 10X MACHINE SCREWS

FRONT ISO VIEW



ACCESS PORT (PN TA595) SOLD SEPARATELY

REAR ISO VIEW



1. NOMENCLATURE: DESICCANT BASKET
2. CAPACITY: 288 UNITS, OR 18X 16-UNIT DESICCANT BAGS
3. EMPTY WEIGHT: 13.5 LBS
4. BASKET MATERIAL: 16 GAUGE GALVANIZED CARBON STEEL
5. ACCESS PORT, PROVIDED SEPARATELY, MAY BE FITTED WITH OBSERVATION WINDOW, HUMIDITY INDICATOR PLUG, OR VALVE. REFER TO DRAWING TA595 FOR DETAILS.

INTERPRET DIMENSIONS AND TOLERANCES IAW ANSI Y14.5M-1994				CONTRACT NO.	
UNLESS OTHERWISE SPECIFIED DIMENSIONS ARE IN INCHES				DRAWN J. BONTRAGER DATE 1-8-19	
TOLERANCES:				CHECK	
DECIMALS		ANGLES		APPROVED	
.XX ± .015		± .5°		By Eric Zuercher at 4:21 pm, Jan 13, 2020	
.XXX ± .010		DO NOT SCALE DRAWING		MANUFACTURING	
FINISH				CUSTOMER	
PART DASH NO.	NEXT	FINAL	NEXT ASSY.	USED ON	SIMILAR TO
QTY. REQ'D PER ASSY.	APPLICATION		ACT. WT.	CALC. WT.	

AGM CONTAINER CONTROLS, INC.			
P.O. BOX 40020 - TUCSON, ARIZONA 85717-0020			
TITLE DESICCANT BASKET			
SIZE B	FSCM NO. 08992	DWG. NO. TA596-B-001	REV. -
SCALE 1/4	RELEASE DATE		SHEET 1 OF 1

4

3

2

1