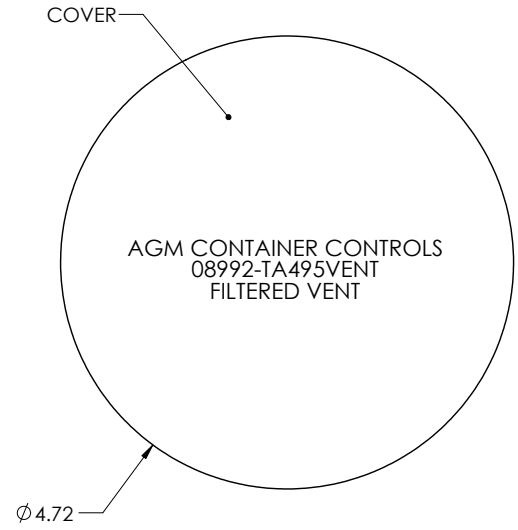
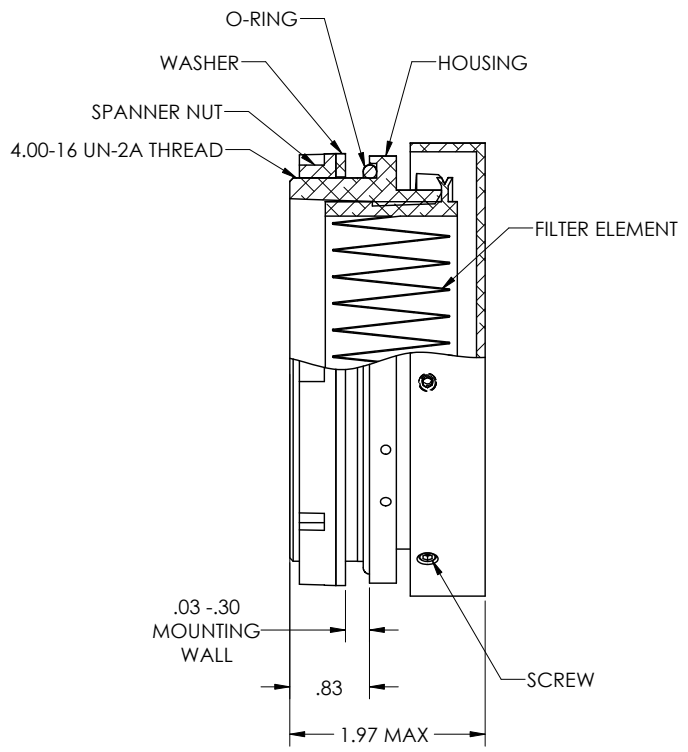


REVISIONS				
ZONE	LTR.	DESCRIPTION	DATE	APPROVED

THIS DOCUMENT CONTAINS PROPRIETARY INFORMATION AND EXCEPT WITH WRITTEN PERMISSION BY AGM CONTAINER CONTROLS, INC., SUCH INFORMATION SHALL NOT BE PUBLISHED, DISCLOSED TO OTHERS OR USED FOR ANY PURPOSE AND THE DOCUMENT SHALL NOT BE DUPLICATED IN WHOLE OR IN PART.

NOTES UNLESS OTHERWISE SPECIFIED:

- DESCRIPTION: VENT, FILTERED, 4 INCH DIAMETER, 25 MICRON NOMINAL PORE SIZE.
- Ø4.015 HOLE REQUIRED FOR MOUNTING. MOUNTING SURFACE MUST BE FLAT AND FREE OF IRREGULARITIES.
- MATERIALS AND FINISHES:
  - COVER, HOUSING, NUT, WASHER: ALUMINUM ALLOY ANODIZED IAW MIL-A-8625, TYPE II, CLASS 2, DYED BLACK.
  - FILTER ELEMENT: POLYESTER MEDIA MOLDED INTO A SANTOPRENE HOUSING.
  - O-RING: IAW MS28775.
  - SCREW: STAINLESS STEEL IAW MS16995.
- REPLACEMENT FILTER ELEMENT MAY BE ORDERED SEPARATELY AS PN: 970998
- RECOMMENDED SPANNER NUT INSTALLATION TORQUE: 100-150 IN-LBS.



SPECIFICATION CONTROL DRAWING

INTERPRET DIMENSIONS AND TOLERANCES IAW ANSI Y14.5M-1994 UNLESS OTHERWISE SPECIFIED DIMENSIONS ARE IN INCHES TOLERANCES: DECIMALS .XX ± .015, .XXX ± .010; ANGLES ± .5° DO NOT SCALE DRAWING				CONTRACT DRAWN: S.HARLOW, DATE: 8-19-14 CHECK: <b>APPROVED</b> By Patrick M. Lane at 10:47 am, Sep 11, 2014	
FINISH: _____ MANUFACTURING: _____ CUSTOMER: _____				TITLE: AGM CONTAINER CONTROLS, INC. P.O. BOX 40020 - TUCSON, ARIZONA 85717-0020 TITLE: VENT, FILTERED, 4" DIA.	
PART DASH NO.   NEXT QTY. REQ'D PER ASSY.   FINAL   NEXT ASSY.   USED ON   APPLICATION   SIMILAR TO   ACT. WT.   CALC. WT.				SIZE: C, FSCM NO.: 08992, DWG. NO.: TA495VENT, REV: -	
SCALE: 1/1, SHEET: 1 OF 1				RELEASE DATE: _____	