

8 7 6 5 4 3 2 1

NOTES UNLESS OTHERWISE SPECIFIED:

1. ϕ 4.015 HOLE REQUIRED FOR MOUNTING. MOUNTING SURFACE MUST BE FLAT AND FREE OF IRREGULARITIES.
2. MATERIALS:
 - 2.1 COVER ASSEMBLY, BRACKET, AND SPRING CLIPS (NOT SHOWN): STAINLESS STEEL.
 - 2.2 HOUSING, SPANNER NUT, DESICCANT BASKET, END CAP, AND WASHER: ALUMINUM ALLOY.
 - 2.3 BLIND NUT: IAW NAS1329A3B80.
 - 2.4 RETAINED GASKET AND INTERNAL SEAL: IAW MIL-P-25732.
 - 2.5 CABLE: STAINLESS STEEL.

3. FINISHES:

3.1 COVER ASSEMBLY, BRACKET, AND SPRING CLIPS: PASSIVATED IAW ASTM A967 OR SAE AMS2700 (MFR OPTION).

3.2 ALUMINUM ALLOYS: CONVERSION COATED IAW MIL-DTL-5541, TYPE I, CLASS 1A. THREADS OF SPANNER NUT SHALL BE ADDITIONALLY COATED WITH DRY FILM LUBRICANT.

4. PART MARK LOCATION.

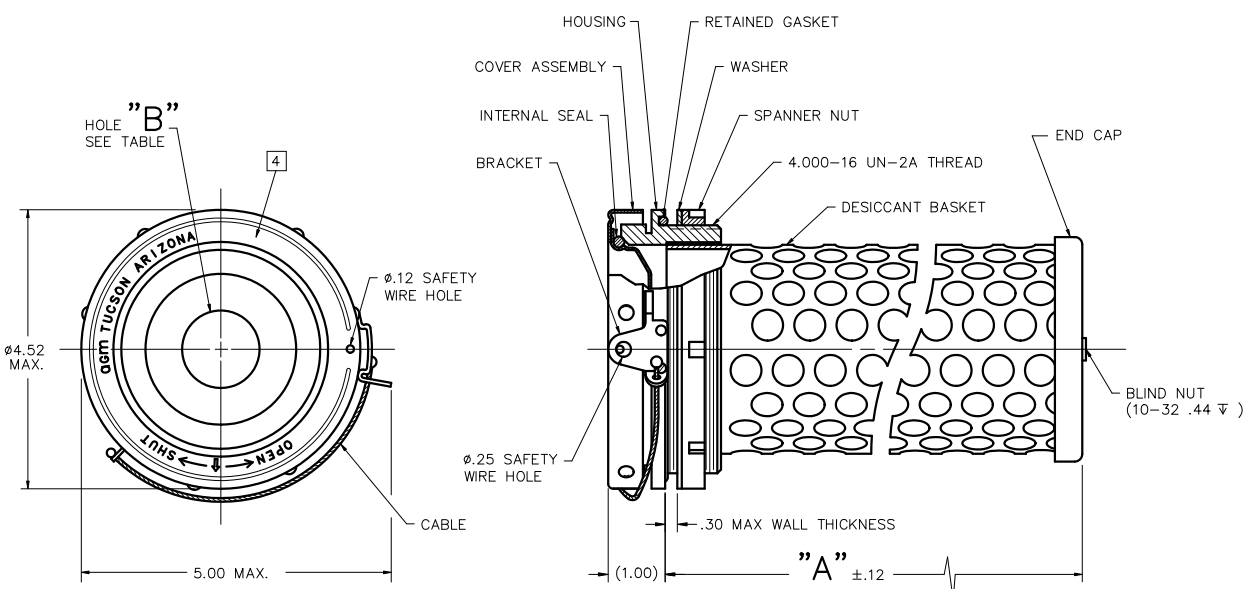
5. THIS ITEM IS NOT REPAIRABLE EXCEPT BY AGM CONTAINER CONTROLS, INC.

6. THE FOLLOWING ITEMS, WHICH ARE FURNISHED AS PART OF THIS ASSEMBLY, MAY BE PURCHASED SEPARATELY AS SPARES:

385008-44	SPANNER NUT
385010-6	WASHER
MS28775-339	INTERNAL SEAL
MS28775-242	RETAINED GASKET

REVISIONS			
ZONE	LTR.	DESCRIPTION	DATE

APPROVED
By Eric Zuercher at 11:44 am, Jul 13, 2016



PART NO.	LENGTH "A"	HOLE "B" DIA.	CAPACITY OF DESICCANT (DESICCANT NOT SUPPLIED)
TA486-4	3.00	NONE	8 UNITS (ONE 8-UNIT BAG)
TA486-4-3	3.00	1.050	8 UNITS (ONE 8-UNIT BAG)
TA486-4-4	3.00	1.265	8 UNITS (ONE 8-UNIT BAG)
TA486-4-5	3.00	2.015	8 UNITS (ONE 8-UNIT BAG)
TA486-7	6.75	NONE	16 UNITS (TWO 8-UNIT BAGS)
TA486-7-3	6.75	1.050	16 UNITS (TWO 8-UNIT BAGS)
TA486-7-4	6.75	1.265	16 UNITS (TWO 8-UNIT BAGS)
TA486-7-5	6.75	2.015	16 UNITS (TWO 8-UNIT BAGS)
TA486-12	11.75	NONE	32 UNITS (FOUR 8-UNIT BAGS)
TA486-12-3	11.75	1.050	32 UNITS (FOUR 8-UNIT BAGS)
TA486-12-4	11.75	1.265	32 UNITS (FOUR 8-UNIT BAGS)
TA486-12-5	11.75	2.015	32 UNITS (FOUR 8-UNIT BAGS)
TA486-14	13.75	NONE	40 UNITS (FOUR 8-UNIT BAGS + TWO 4-UNIT BAGS)
TA486-14-3	13.75	1.050	40 UNITS (FOUR 8-UNIT BAGS + TWO 4-UNIT BAGS)
TA486-14-4	13.75	1.265	40 UNITS (FOUR 8-UNIT BAGS + TWO 4-UNIT BAGS)
TA486-14-5	13.75	2.015	40 UNITS (FOUR 8-UNIT BAGS + TWO 4-UNIT BAGS)
TA486-17	16.75	NONE	48 UNITS (SIX 8-UNIT BAGS)
TA486-17-3	16.75	1.050	48 UNITS (SIX 8-UNIT BAGS)
TA486-17-4	16.75	1.265	48 UNITS (SIX 8-UNIT BAGS)
TA486-17-5	16.75	2.015	48 UNITS (SIX 8-UNIT BAGS)

INTERPRET DIMENSIONS AND TOLERANCES IAW ASME Y14.5M-1992 UNLESS OTHERWISE SPECIFIED DIMENSIONS ARE IN INCHES DECIMALS .XXX ±.005 .XXXX ±.010 ANGLES ±.5° TOLERANCES:		CONTRACT DATE L.HARTSIG 9-11-87 CHECK K.BRADY 9-30-87 APPROVED K.BRADY 3-8-89 MANUFACTURING		OGM CONTAINER CONTROLS, INC. P.O. BOX 40020 - TUCSON, ARIZONA 85717-0020 DESICCANT BASKET	
DO NOT SCALE DRAWING FINISH 3.		SCALE 1/1 RELEASE DATE		SIZE FSCM NO. DWG. NO. REV D 08992 TA486 F	
PART DASH NO. NEXT FINAL QTY. REQD PER ASSY.		APPLICATION NEXT ASSY. USED ON		SHEET 1 OF 1	