

4

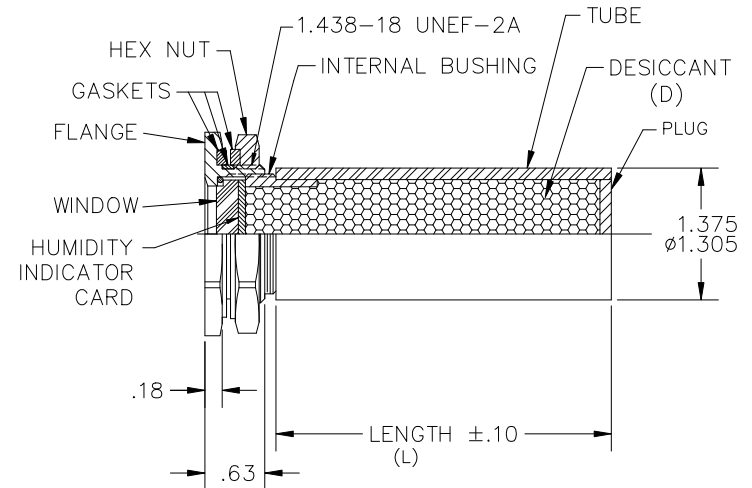
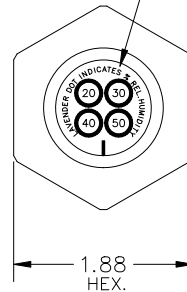
3

2

1

NOTES UNLESS OTHERWISE SPECIFIED

1. DESCRIPTION: DESICCATOR AND HUMIDITY INDICATOR ASSEMBLY
2. PERFORMANCE: THE RELATIVE HUMIDITY OF THE DESICCANT IS INDICATED BY ONE OR MORE SEGMENTS ON THE INDICATOR CARD. A BLUE COLOR IN SEGMENT INDICATES RH IS LESS THAN NUMBER IN THAT SEGMENT. A LAVENDER OR PINK COLOR IN SEGMENT INDICATES RH IS EQUAL TO OR GREATER THAN NUMBER IN THAT SEGMENT. COLOR CHANGE IS REVERSIBLE UNDER NORMAL CONDITIONS.
3. MATERIALS:
 - 3.1 DESICCANT: MOLECULAR SIEVE OR SILICA GEL AS INDICATED BY PART NUMBER CODE.
 - 3.2 FLANGE, HEX NUT AND INTERNAL BUSHING: ALUMINUM ALLOYS
 - 3.3 TUBE: POROUS POLYETHYLENE WITH 90 MICRON MAX PORE SIZE.
 - 3.4 PLUG: RIGID PLASTIC.
 - 3.5 HUMIDITY INDICATOR CARD: CHEMICALLY IMPREGNATED BLOTTER PAPER IAW MIL-I-8835. SEE TABLE ON SHEET 2 FOR AVAILABLE CARDS.
 - 3.6 GASKETS: IAW MIL-PRF-6855, CLASS II, GRADE 60.
 - 3.7 WINDOW: PLEXIGLAS.
 4. FINISH: ALUMINUM ALLOYS ANODIZED IAW MIL-A-8625, TYPE II, CLASS 1.
5. PACKAGING: DESICCATOR IS INDIVIDUALLY SEALED IN A MIL-PRF-22191, TYPE I, BARRIER BAG OR EQUIVALENT. MULTIPLES OF BAGGED DESICCATORS ARE OVERPACKED IN RESEALABLE CAN.

HUMIDITY INDICATOR CARD (2345S SHOWN)
(C)

PART NUMBER CODE: TA471-(D)(L)-(C)

(D) = TYPE OF DESICCANT. AVAILABLE TYPES:
SG (SILICA GEL)
MS (MOLECULAR SIEVE)

(L) = LENGTH OF TUBE IN INCHES, WITHOUT TRAILING ZEROS. MAXIMUM TUBE LENGTH IS 9".

(C) = HUMIDITY INDICATOR CARD TYPE. SEE SHEET 2 FOR LIST OF AVAILABLE CARDS.

EXAMPLE PART NUMBER: TA471-MS3.5-2345S (MOLECULAR SIEVE IN 3.5"-LONG CARTRIDGE, HUMIDITY INDICATOR CARD HAS 20%, 30%, 40%, 50% CIRCLES)

REVISIONS				
ZONE	LTR.	DESCRIPTION	DATE	APPROVED
APPROVED By Eric Zuercher at 2:38 pm, Apr 05, 2019				

				INTERPRET DIMENSIONS AND TOLERANCES IAW ASME Y14.5M-1994 UNLESS OTHERWISE SPECIFIED DIMENSIONS ARE IN INCHES TOLERANCES: DECIMALS .XX ±.015 ±.02 .XXX ±.010 ANGLES ±.5°		CONTRACT DRAWN R.CASAD CHECK E.ZUERCHER APPROVED E.ZUERCHER MANUFACTURING		agm CONTAINER CONTROLS, INC. P.O. BOX 40020 - TUCSON, ARIZONA 85717-0020	
				DO NOT SCALE DRAWING FINISH 4.		DATE 12-11-18 DATE 12-21-18 DATE 12-21-18		TITLE <h1 style="text-align: center;">DESICCATOR</h1>	
				SIMILAR TO ACT. WT. CALC. WT.		SIZE C FSCM NO. 08992 DWG. NO. TA471		REV A	
PART DASH NO. NEXT FINAL NEXT ASSY. USED ON QTY. REQ'D PER ASSY. APPLICATION				CUSTOMER		SCALE 1/1 RELEASE DATE		SHEET 1 OF 2	

4

3

2

1

4

3

2

1

REVISIONS				
ZONE	LTR.	DESCRIPTION	DATE	APPROVED

HUMIDITY INDICATOR CARDS			
CARD TYPE	INDICATED HUMIDITY PERCENTAGE	SEGMENT TYPE	ADDITIONAL TEXT ON CARD
123P	10, 20, 30	PIE SHAPE	LAVENDER INDICATES HUMIDITY
234P	20, 30, 40	PIE SHAPE	LAVENDER INDICATES HUMIDITY
345P	30, 40, 50	PIE SHAPE	LAVENDER INDICATES HUMIDITY
246P	20, 40, 60	PIE SHAPE	LAVENDER INDICATES HUMIDITY
357P	30, 50, 70	PIE SHAPE	LAVENDER INDICATES HUMIDITY
2345S **	20, 30, 40, 50	CIRCLES	LAVENDER DOT INDICATES % REL. HUMIDITY
2345P	20, 30, 40, 50	PIE SHAPE	LAVENDER INDICATES HUMIDITY
3456P	30, 40, 50, 60	PIE SHAPE	LAVENDER INDICATES HUMIDITY
10	10	W HOLE	REPRESERVE WHEN PINK
40	40	W HOLE	REPRESERVE WHEN PINK
60	60	W HOLE	REPRESERVE WHEN PINK

**STANDARD CARD. ALL OTHER CARDS ARE SPECIAL ORDER.

SIZE C	FSCM NO. 08992	DWG. NO. TA471	REV A
SCALE 1	SHEET		

4

3

2

1