

4

3

2

1

NOTES UNLESS OTHERWISE SPECIFIED

REVISIONS				
ZONE	LTR.	DESCRIPTION	DATE	APPROVED

1. SPECIFICATIONS:

1.1 APPLICABLE SPECIFICATION: SAE AS26860 TYPE I.

1.2 RELATIVE HUMIDITY OF DESICCATOR IS INDICATED BY SEGMENT(S). A BLUE SEGMENT INDICATES RH IS LESS THAN NUMBER IN SEGMENT. PINK OR LAVENDER INDICATES RH IS EQUAL TO OR GREATER THAN NUMBER IN SEGMENT. REPLACE CARTRIDGE WHEN COLOR OF SEGMENTS IS LAVENDER OR PINK. COLOR CHANGE IS REVERSIBLE UNDER NORMAL CONDITIONS.

2. SEE TABLE ON SHEET 2 FOR PART NUMBERS.

3. MATERIALS:

3.1 HOUSING AND BUSHING: ALUMINUM ALLOYS.

3.2 TUBE: POROUS POLYETHYLENE PLASTIC (15-90 MICRON NOMINAL PORE SIZE).

3.3 PLUG: RIGID PLASTIC SHEET.

3.4 DESICCANT: MOLECULAR SIEVE (MS) OR SILICA GEL (SG), APPROXIMATELY 5 GRAMS OF DESICCANT FOR EACH INCH OF CARTRIDGE LENGTH.

3.2 O-RING: NEOPRENE OR NITRILE.

3.3 WINDOW: PLEXIGLAS PER MIL-P-5425.

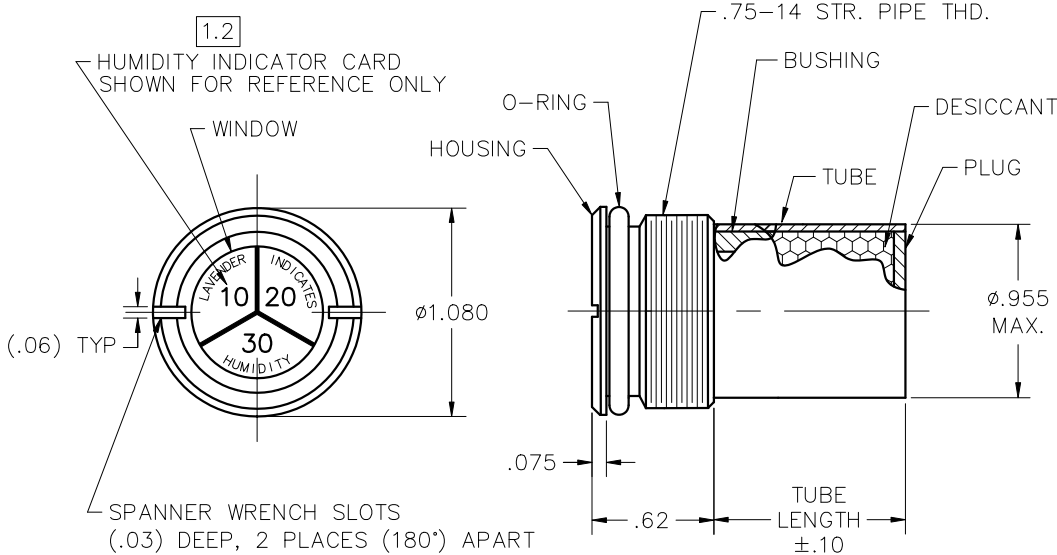
3.4 HUMIDITY INDICATOR CARD: CHEMICALLY IMPREGNATED BLOTTER PAPER PER MIL-I-8835.

4. FINISH: ALUMINUM ALLOYS: ANODIZED PER MIL-A-8625, TYPE II, CLASS 1.

5. FOR ACCESS TO DESICCANT, REMOVE TUBE/BUSHING FROM HOUSING.

6. PACKAGING: DESICCATOR SHALL BE INDIVIDUALLY SEALED IN A MIL-PRF-22191, TYPE I, BARRIER BAG. MULTIPLES OF BAGGED ASSEMBLIES OVERPACKED IN RESEALABLE METAL CONTAINER.

7. RECOMMENDED INSTALLATION TORQUE: 20-30 IN-LBS.



INTERPRET DIMENSIONS AND TOLERANCES IN INCHES UNLESS OTHERWISE SPECIFIED DIMENSIONS ARE IN INCHES TOLERANCES: DECIMALS .XX ±.015 .XXX ±.010 ANGLES ±.5°				CONTRACT	
DO NOT SCALE DRAWING				DRAWN M.ONTIVEROS DATE 2-24-16	
FINISH 4.				CHECK	
PART DASH NO.				APPROVED By Eric Zuercher at 4:05 pm, Feb 25, 2016	
NEXT FINAL				MANUFACTURING	
NEXT ASSY.				CUSTOMER	
USED ON				SIZE C	
SIMILAR TO				FSCM NO. 08992	
ACT. WZ. CALC. WZ.				DWG. NO. TA352	
APPLICATION				REV -	

agm CONTAINER CONTROLS, INC. P.O. BOX 40020 - TUCSON, ARIZONA 85717-0020			
TITLE DESICCATOR, HUMIDITY INDICATING			
SCALE 2/1	RELEASE DATE	SHEET 1 OF 2	FILE

4

3

2

1

4

3

2

1

REVISIONS				
ZONE	LTR.	DESCRIPTION	DATE	APPROVED

PART NUMBER TABLE

PART NUMBER	STANDARD ITEM	INDICATED HUMIDITY PERCENTAGE(S)	SEGMENT TYPE	ADDITIONAL TEXT ON CARD	REPLACEMENT CARD PART NUMBER
TA352-XXY*-123P	YES	10, 20, 30	PIE SHAPE	LAVENDER INDICATES HUMIDITY	TA356-HC-123P
TA352-XXY*-234P	YES	20, 30, 40	PIE SHAPE	LAVENDER INDICATES HUMIDITY	TA356-HC-234P
TA352-XXY*-2345P	YES	20, 30, 40, 50	PIE SHAPE	LAVENDER INDICATES HUMIDITY	TA356-HC-2345P
TA352-XXY*-246P	YES	20, 40, 60	PIE SHAPE	LAVENDER INDICATES HUMIDITY	TA356-HC-246P
TA352-XXY*-345P	YES	30, 40, 50	PIE SHAPE	LAVENDER INDICATES HUMIDITY	TA356-HC-345P
TA352-XXY*-3456P	YES	30, 40, 50, 60	PIE SHAPE	LAVENDER INDICATES HUMIDITY	TA356-HC-3456P
TA352-XXY*-456P	YES	40, 50, 60	PIE SHAPE	LAVENDER INDICATES HUMIDITY	TA356-HC-456P
TA352-XXY*-40	YES	40	WHOLE CARD	REPRESERVE WHEN PINK	TA356-HC-40
TA352-XXY*-60	NO	60	WHOLE CARD	REPRESERVE WHEN PINK	TA356-HC-60

*REPLACE XX WITH SG FOR SILICA GEL DESICCANT OR MS FOR MOLECULAR SIEVE DESICCANT.
 REPLACE Y WITH TUBE LENGTH IN INCHES.
 EXAMPLE PART NUMBERS:

TA352-SG1-40 1"-LONG TUBE FILLED WITH SILICA GEL, 40% RH CARD
 TA352-MS2.5-246P 2.5"-LONG TUBE FILLED WITH MOLECULAR SIEVE, 20-40-60% RH CARD.

SIZE C	FSCM NO. 08992	DWG. NO. TA352	REV —
SCALE	SHEET 2		FILE

4

3

2

1