

4

3

2

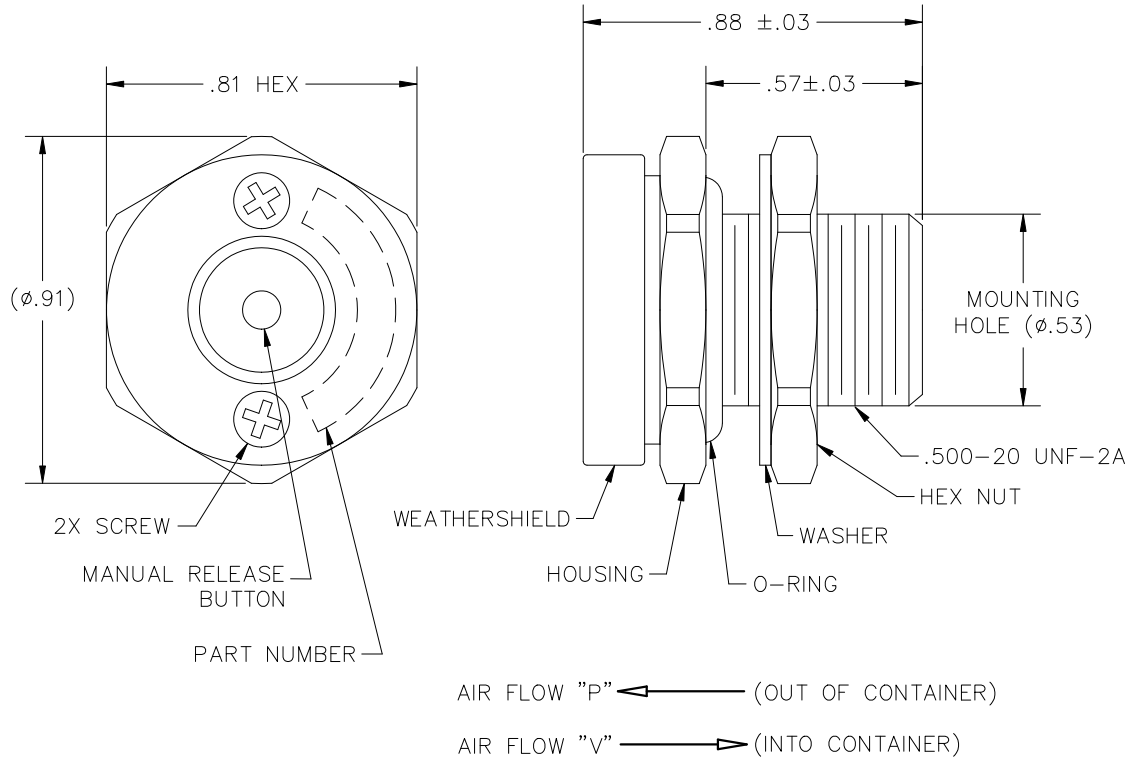
1

REVISIONS				
ZONE	LTR.	DESCRIPTION	DATE	APPROVED

NOTES UNLESS OTHERWISE SPECIFIED:

1. NOMENCLATURE: VALVE, BREATHER, TWO WAY RELIEF WITH MANUAL RELEASE BUTTON.
2. PERFORMANCE: SEE TABLES ON SHEET 2 AND 3.
3. MATERIALS:
 - 3.1 WEATHERSHIELD, HOUSING, WASHER, AND HEX NUT: ALUMINUM ALLOY.
 - 3.2 SCREW: STAINLESS STEEL.
 - 3.3 O-RING: MS28775-112.
4. FINISH: WEATHERSHIELD, HOUSING, WASHER, AND HEX NUT: ANODIZED IAW MIL-A-8625, TYPE II, CLASS 1. HOUSING ADDITIONALLY CLEAR TEFLON COATED.
5. THE FOLLOWING ITEMS FURNISHED AS PART OF THE ASSEMBLY MAY BE PURCHASED SEPARATELY:

P/N	225010-16	HEX NUT
	225011-16	WASHER
	MS28775-112	O-RING
6. SUGGESTED INSTALLATION TORQUE IS 25 ±5 IN-LBS.



				INTERPRET DIMENSIONS AND TOLERANCES IAW ASME Y14.5M-1982		CONTRACT	
				UNLESS OTHERWISE SPECIFIED DIMENSIONS ARE IN INCHES		DRAWN M.ONTIVEROS DATE 3-2-16	
				TOLERANCES:		CHECK	
				DECIMALS .XX ±.015		APPROVED	
				ANGLES ±.5°		By Ralph Foree at 3:39 pm, Sep 13, 2016	
				DO NOT SCALE DRAWING		MANUFACTURING	
				FINISH		CUSTOMER	
				4.		SCALE 4/1	
PART DASH NO.	NEXT FINAL	QTY. REQ'D PER ASSY.	NEXT ASSY.	USED ON	SIMILAR TO	ACT. WT.	CALC. WT.
					4.		

agm CONTAINER CONTROLS, INC. P.O. BOX 40020 - TUCSON, ARIZONA 85717-0020			
TITLE BREATHER VALVE			
SIZE C	FSCM NO. 08992	DWG. NO. TA225-R	REV -
RELEASE DATE		SHEET 1 OF 3	

4

3

2

1

4

3

2

1

REVISIONS

ZONE	LTR.	DESCRIPTION	DATE	APPROVED

RESEAL VALVE PERFORMANCE

PART NUMBER	PRESSURE SIDE (FLOW OUT)			VACUUM SIDE (FLOW IN)		
	CRACKING PRESSURE RANGE	RESEAL PRESSURE AFTER CRACK, MIN	MINIMUM FLOW RATE (SLPM BY PSID)	CRACKING PRESSURE RANGE (PSID)	RESEAL PRESSURE AFTER CRACK, MIN	MINIMUM FLOW RATE (SLPM BY PSID)
TA225-05-05-R	0.50-1.00	0.50	9 BY 2.00	0.50-1.00	0.50	17 BY 2.00
TA225-05-10-R	0.50-1.00	0.50	9 BY 2.00	1.00-1.50	1.00	28 BY 2.50
TA225-05-15-R	0.50-1.00	0.50	9 BY 2.00	1.50-2.00	1.50	25 BY 3.00
TA225-05-20-R	0.50-1.00	0.50	9 BY 2.00	2.00-3.00	2.00	15 BY 3.50
TA225-05-25-R	0.50-1.00	0.50	9 BY 2.00	2.50-3.00	2.50	30 BY 4.00
TA225-10-10-R	1.00-1.50	1.00	11 BY 2.50	1.00-1.50	1.00	28 BY 2.50
TA225-10-15-R	1.00-1.50	1.00	11 BY 2.50	1.50-2.00	1.50	25 BY 3.00
TA225-10-20-R	1.00-1.50	1.00	11 BY 2.50	2.00-3.00	2.00	15 BY 3.50
TA225-10-25-R	1.00-1.50	1.00	11 BY 2.50	2.50-3.00	2.50	30 BY 4.00
TA225-10-30-R	1.00-1.50	1.00	11 BY 2.50	3.00-4.00	3.00	30 BY 4.50
TA225-15-15-R	1.50-2.00	1.50	18 BY 3.00	1.50-2.00	1.50	25 BY 3.00
TA225-15-20-R	1.50-2.00	1.50	18 BY 3.00	2.00-3.00	2.00	15 BY 3.50
TA225-15-25-R	1.50-2.00	1.50	18 BY 3.00	2.50-3.00	2.50	30 BY 4.00
TA225-15-30-R	1.50-2.00	1.50	18 BY 3.00	3.00-4.00	3.00	30 BY 4.50
TA225-15-35-R	1.50-2.00	1.50	18 BY 3.00	3.50-4.50	3.50	30 BY 5.00
TA225-20-20-R	2.00-3.00	2.00	8 BY 3.50	2.00-3.00	2.00	15 BY 3.50
TA225-20-25-R	2.00-3.00	2.00	8 BY 3.50	2.50-3.00	2.50	30 BY 4.00
TA225-20-30-R	2.00-3.00	2.00	8 BY 3.50	3.00-4.00	3.00	30 BY 4.50
TA225-20-35-R	2.00-3.00	2.00	8 BY 3.50	3.50-4.50	3.50	30 BY 5.00
TA225-20-40-R	2.00-3.00	2.00	8 BY 3.50	4.00-5.00	4.00	30 BY 5.50
TA225-25-25-R	2.50-3.00	2.50	10 BY 4.00	2.50-3.00	2.50	30 BY 4.00
TA225-25-30-R	2.50-3.00	2.50	10 BY 4.00	3.00-4.00	3.00	30 BY 4.50
TA225-25-35-R	2.50-3.00	2.50	10 BY 4.00	3.50-4.50	3.50	30 BY 5.00
TA225-25-40-R	2.50-3.00	2.50	10 BY 4.00	4.00-5.00	4.00	30 BY 5.50

TABLE CONTINUED ON SHEET 3

APPROVED
By Ralph Foree at 3:39 pm, Sep 13, 2016

SIZE C	FSCM NO. 08992	DWG. NO. TA225-R	REV -
SCALE NONE	SHEET 2		FILE

4

3

2

1

4

3

2

1

REVISIONS				
ZONE	LTR.	DESCRIPTION	DATE	APPROVED

TABLE CONTINUED FROM SHEET 2

RESEAL VALVE PERFORMANCE

PART NUMBER	PRESSURE SIDE (FLOW OUT)			VACUUM SIDE (FLOW IN)		
	CRACKING PRESSURE RANGE	RESEAL PRESSURE AFTER CRACK, MIN	MINIMUM FLOW RATE (SLPM BY PSID)	CRACKING PRESSURE RANGE (PSID)	RESEAL PRESSURE AFTER CRACK, MIN	MINIMUM FLOW RATE (SLPM BY PSID)
TA225-25-45-R	2.50-3.00	2.50	10 BY 4.00	4.50-5.50	4.50	30 BY 6.00
TA225-30-30-R	3.00-4.00	3.00	6 BY 4.50	3.00-4.00	3.00	30 BY 4.50
TA225-30-35-R	3.00-4.00	3.00	6 BY 4.50	3.50-4.50	3.50	30 BY 5.00
TA225-30-40-R	3.00-4.00	3.00	6 BY 4.50	4.00-5.00	4.00	30 BY 5.50
TA225-30-45-R	3.00-4.00	3.00	6 BY 4.50	4.50-5.50	4.50	30 BY 6.00
TA225-30-50-R	3.00-4.00	3.00	6 BY 4.50	5.00-6.00	5.00	30 BY 6.50
TA225-35-35-R	3.50-4.50	3.50	6 BY 5.00	3.50-4.50	3.50	30 BY 5.00
TA225-35-40-R	3.50-4.50	3.50	6 BY 5.00	4.00-5.00	4.00	30 BY 5.50
TA225-35-45-R	3.50-4.50	3.50	6 BY 5.00	4.50-5.50	4.50	30 BY 6.00
TA225-35-50-R	3.50-4.50	3.50	6 BY 5.00	5.00-6.00	5.00	30 BY 6.50
TA225-40-40-R	4.00-5.00	4.00	6 BY 5.50	4.00-5.00	4.00	30 BY 5.50
TA225-40-45-R	4.00-5.00	4.00	6 BY 5.50	4.50-5.50	4.50	30 BY 6.00
TA225-40-50-R	4.00-5.00	4.00	6 BY 5.50	5.00-6.00	5.00	30 BY 6.50
TA225-45-45-R	4.50-5.50	4.50	6 BY 6.00	4.50-5.50	4.50	30 BY 6.00
TA225-45-50-R	4.50-5.50	4.50	6 BY 6.00	5.00-6.00	5.00	30 BY 6.50
TA225-50-50-R	5.00-6.00	5.00	8 BY 6.50	5.00-6.00	5.00	30 BY 6.50

CRACKING VALVE PERFORMANCE

PART NUMBER	PRESSURE SIDE (FLOW OUT)			VACUUM SIDE (FLOW IN)		
	CRACKING PRESSURE RANGE	RESEAL PRESSURE AFTER CRACK, MIN	MINIMUM FLOW RATE (SLPM BY PSID)	CRACKING PRESSURE RANGE (PSID)	RESEAL PRESSURE AFTER CRACK, MIN	MINIMUM FLOW RATE (SLPM BY PSID)
TA225-025C-025C-R	0.10-0.40	0.10	13 BY 1.75	0.10-0.40	0.10	20 BY 1.75
TA225-10C-10C-R	0.75-1.25	0.50	11 BY 2.50	0.75-1.25	0.50	28 BY 2.50

APPROVED
By Ralph Foree at 3:39 pm, Sep 13, 2016

SIZE C	FSCM NO. 08992	DWG. NO. TA225-R	REV -
SCALE NONE	SHEET 3		FILE

4

3

2

1