

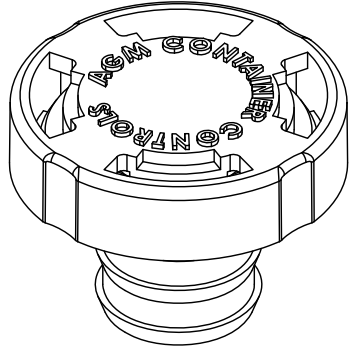
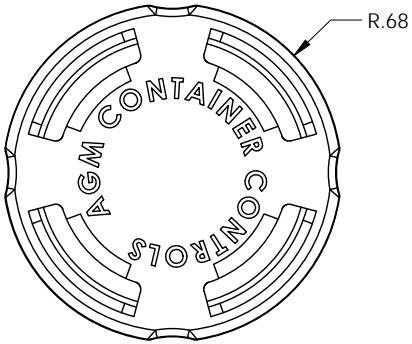
4

3

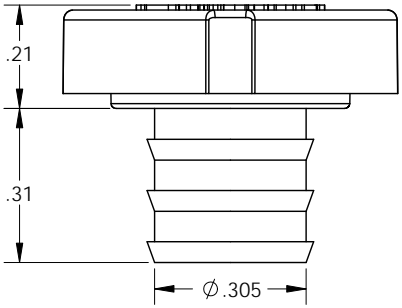
2

1

REVISIONS				
ZONE	LTR.	DESCRIPTION	DATE	APPROVAL
--	A	ECO 180623.	11-8-18 REC	<b>APPROVED</b> <i>By Ralph Foree at 10:24 am, Nov 08, 2018</i>



AIR FLOW "P" (OUT OF CONTAINER)



NOTES UNLESS OTHERWISE SPECIFIED:

1. DESCRIPTION: VALVE, BREATHER, ONE-WAY PRESSURE RELIEF, PRESS-IN.
2. PERFORMANCE: SEE FLOW PROFILES ON SHEET 2.
3. VALVE PRESSES INTO .323"-DIAMETER HOLE (DRILL SIZE P).
4. MATERIALS:
  - 4.1 HOUSING: ABS PLASTIC.
  - 4.2 INTERNAL SEAL (NOT SHOWN): SILICONE RUBBER.

D

D

C

C

B

B

A

A

				INTERPRET DIMENSIONS AND TOLERANCES IAW ANSI Y14.5M-1994 UNLESS OTHERWISE SPECIFIED DIMENSIONS ARE IN INCHES TOLERANCES: DECIMALS .XX ± .03 .XXX ± .010 ANGLES ± .5°		CONTRACT NO. DRAWN R.FOREE DATE 2-29-16 CHECK E.ZUERCHER DATE 3-4-16 APPROVED E.ZUERCHER DATE 3-4-16 MANUFACTURING CUSTOMER		<b>aGm CONTAINER CONTROLS, INC.</b> P.O. BOX 40020 - TUCSON, ARIZONA 85717-0020			
				DO NOT SCALE DRAWING				<b>VALVE</b>			
PART DASH NO.	NEXT	FINAL	NEXT ASSY.	USED ON	FINISH	SCALE	FSCM NO.	DWG. NO.	REV.		
						<b>B</b>	<b>08992</b>	<b>TA211</b>	<b>A</b>		
QTY. REQ'D PER ASSY.		APPLICATION		SIMILAR TO	ACT. WT.	CALC. WT.	SCALE 4/1	RELEASE DATE	SHEET 1 OF 2		

4

3

2

1

4

3

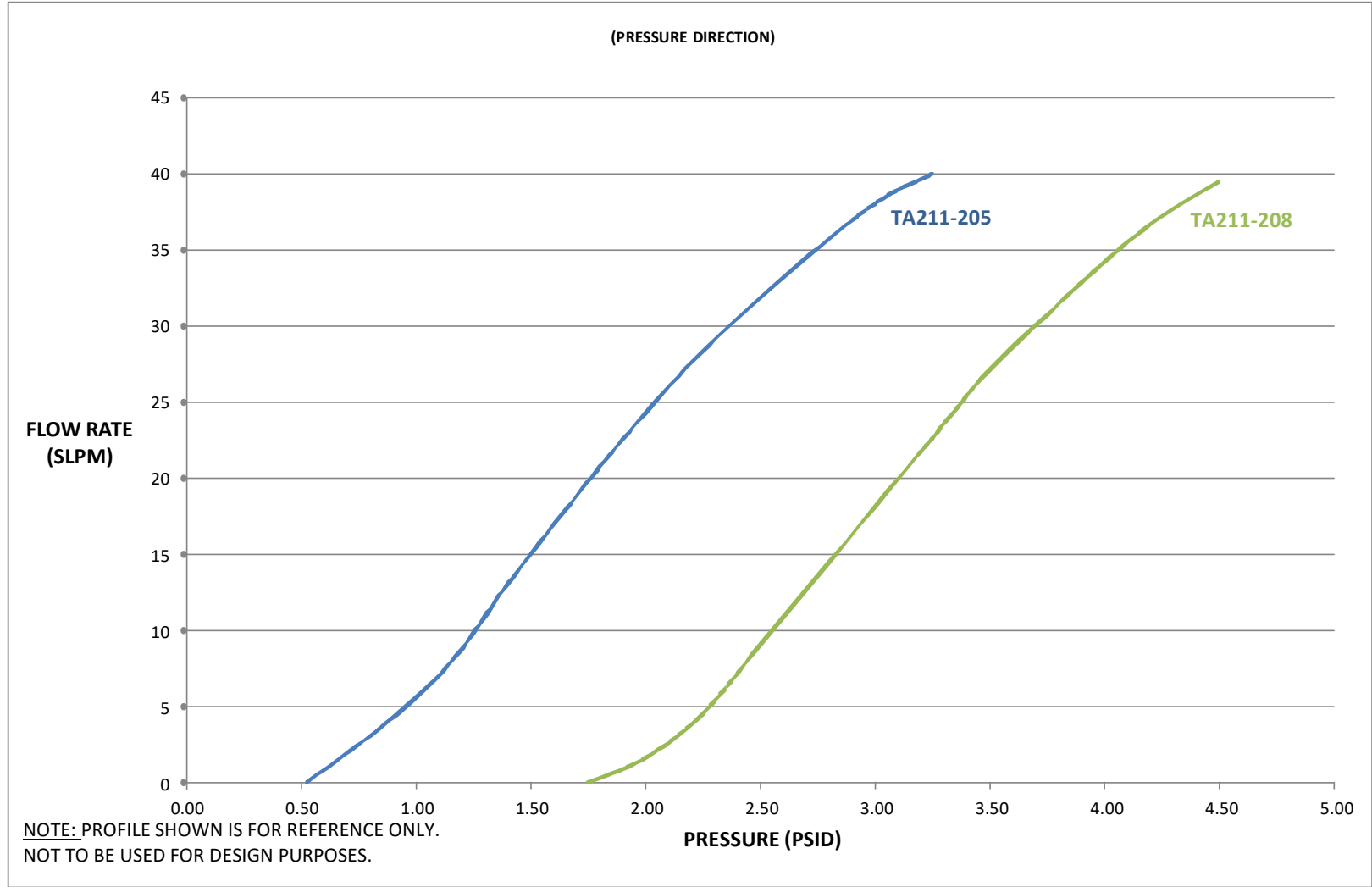
2

1

REVISIONS				
ZONE	LTR.	DESCRIPTION	DATE	APPROVAL

### TYPICAL TA211 FLOW PROFILE

(PRESSURE DIRECTION)



NOTE: PROFILE SHOWN IS FOR REFERENCE ONLY.  
 NOT TO BE USED FOR DESIGN PURPOSES.

SIZE <b>B</b>	FSCM NO. <b>08992</b>	DWG. NO. <b>TA211</b>	REV. <b>A</b>
SCALE 4/1	SHEET 2		

4

3

2

1