

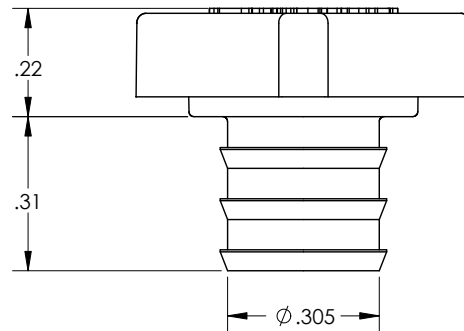
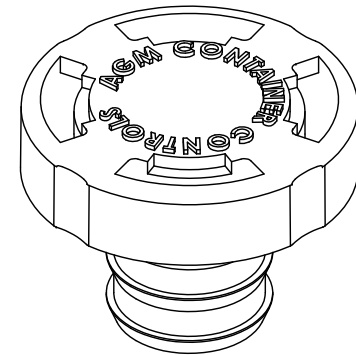
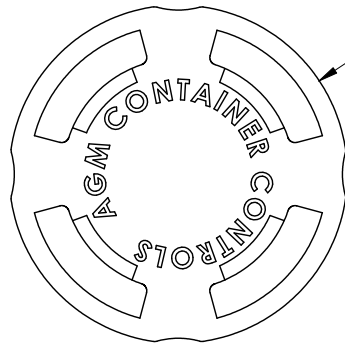
4

3

2

1

| REVISIONS | | | | |
|-----------|------|-------------|------|----------|
| ZONE | LTR. | DESCRIPTION | DATE | APPROVAL |



AIR FLOW "V" (INTO CONTAINER)
 AIR FLOW "P" (OUT OF CONTAINER)

NOTES UNLESS OTHERWISE SPECIFIED:

1. DESCRIPTION: VALVE, BREATHER, TWO-WAY RELIEF, PRESS-IN.
2. PERFORMANCE: SEE FLOW PROFILES ON SHEET 2.
3. VALVE PRESSES INTO .323"-DIAMETER HOLE (DRILL SIZE P).
4. MATERIALS:
 - 4.1 HOUSING: ABS PLASTIC.
 - 4.2 INTERNAL SEAL (NOT SHOWN): SILICONE RUBBER.

| | | | | | | | | | | | | | |
|----------------------|--|-------------|--|-------------------------------------------------------------------------------------------------------------------------------------------------------------------------------------|--|---------------------------------------------------------------------------------------------------------------------|--|------------------------------------------------------------------------------------|--|--------------|--|--------------|--|
| | | | | INTERPRET DIMENSIONS AND TOLERANCES IAW ANSI Y14.5M-1994 UNLESS OTHERWISE SPECIFIED DIMENSIONS ARE IN INCHES TOLERANCES: DECIMALS .XX ± .03 .XXX ± .010 ANGLES ± .5° | | CONTRACT NO. DRAWN R.FOREE DATE 2-29-16 CHECK APPROVED By Eric Zuercher at 9:58 am, Mar 04, 2016 | | AGM CONTAINER CONTROLS, INC. P.O. BOX 40020 - TUCSON, ARIZONA 85717-0020 | | | | | |
| | | | | DO NOT SCALE DRAWING | | MANUFACTURING | | TITLE VALVE | | | | | |
| | | | | FINISH | | CUSTOMER | | SIZE B FSCM NO. 08992 DWG. NO. TA210 REV. - | | | | | |
| PART DASH NO. | | NEXT FINAL | | NEXT ASSY. | | USED ON | | SCALE 4/1 | | RELEASE DATE | | SHEET 1 OF 2 | |
| QTY. REQ'D PER ASSY. | | APPLICATION | | SIMILAR TO | | ACT. WT. CALC. WT. | | | | | | | |

4

3

2

1

4

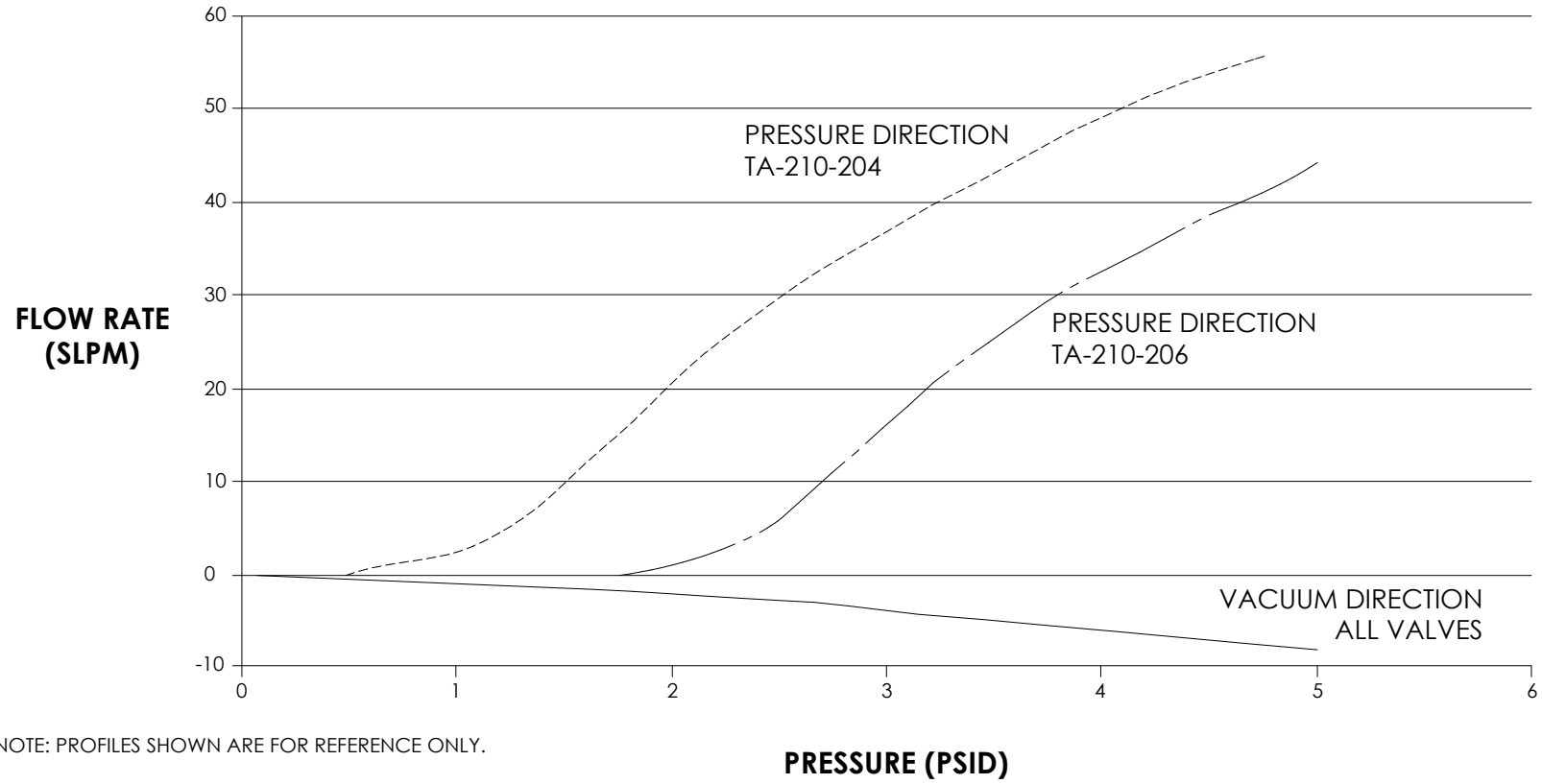
3

2

1

| REVISIONS | | | | |
|-----------|------|-------------|------|----------|
| ZONE | LTR. | DESCRIPTION | DATE | APPROVAL |
| | | | | |

TA210 FLOW PROFILES



NOTE: PROFILES SHOWN ARE FOR REFERENCE ONLY.

| | | | |
|------------------|--------------------------|--------------------------|------------------|
| SIZE B | FSCM NO. 08992 | DWG. NO. TA210 | REV. - |
| SCALE 4/1 | SHEET 2 | | |

4

3

2

1