

DRG No

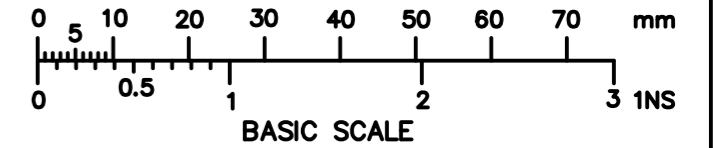
BL/D10787/01-03 INST

USED ON \_\_\_\_\_

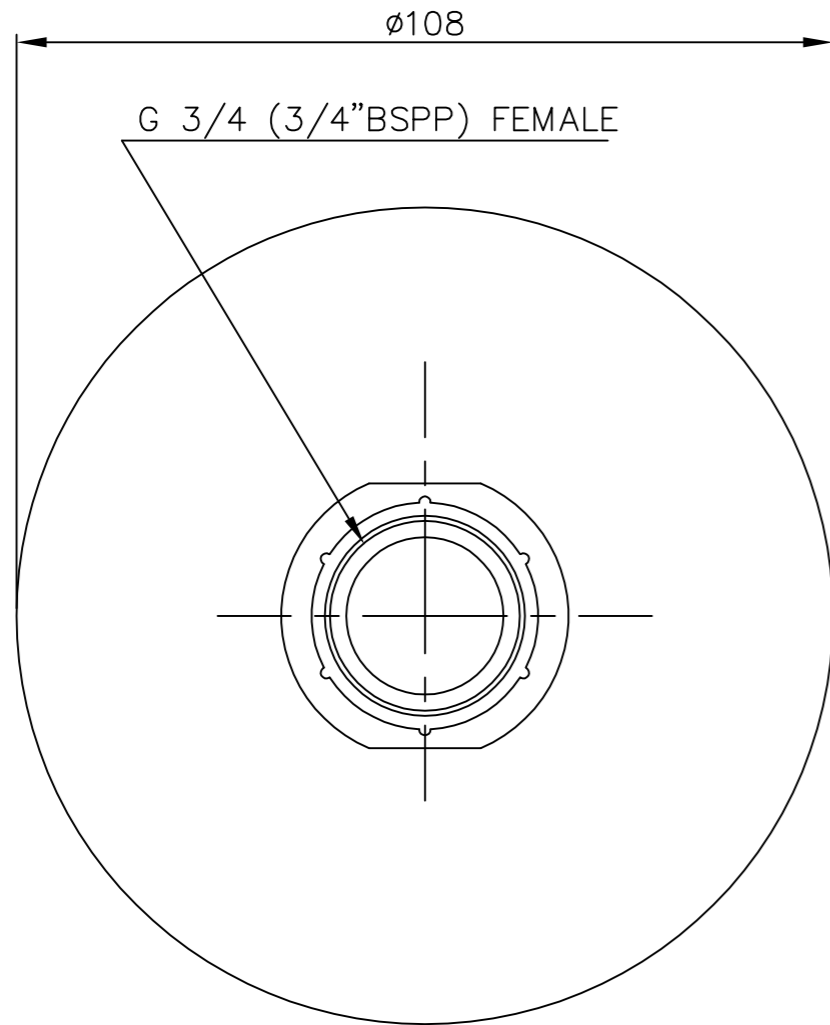
THIRD ANGLE PROJECTION

REMOVE ALL SHARP EDGES UNLESS SPECIFIED

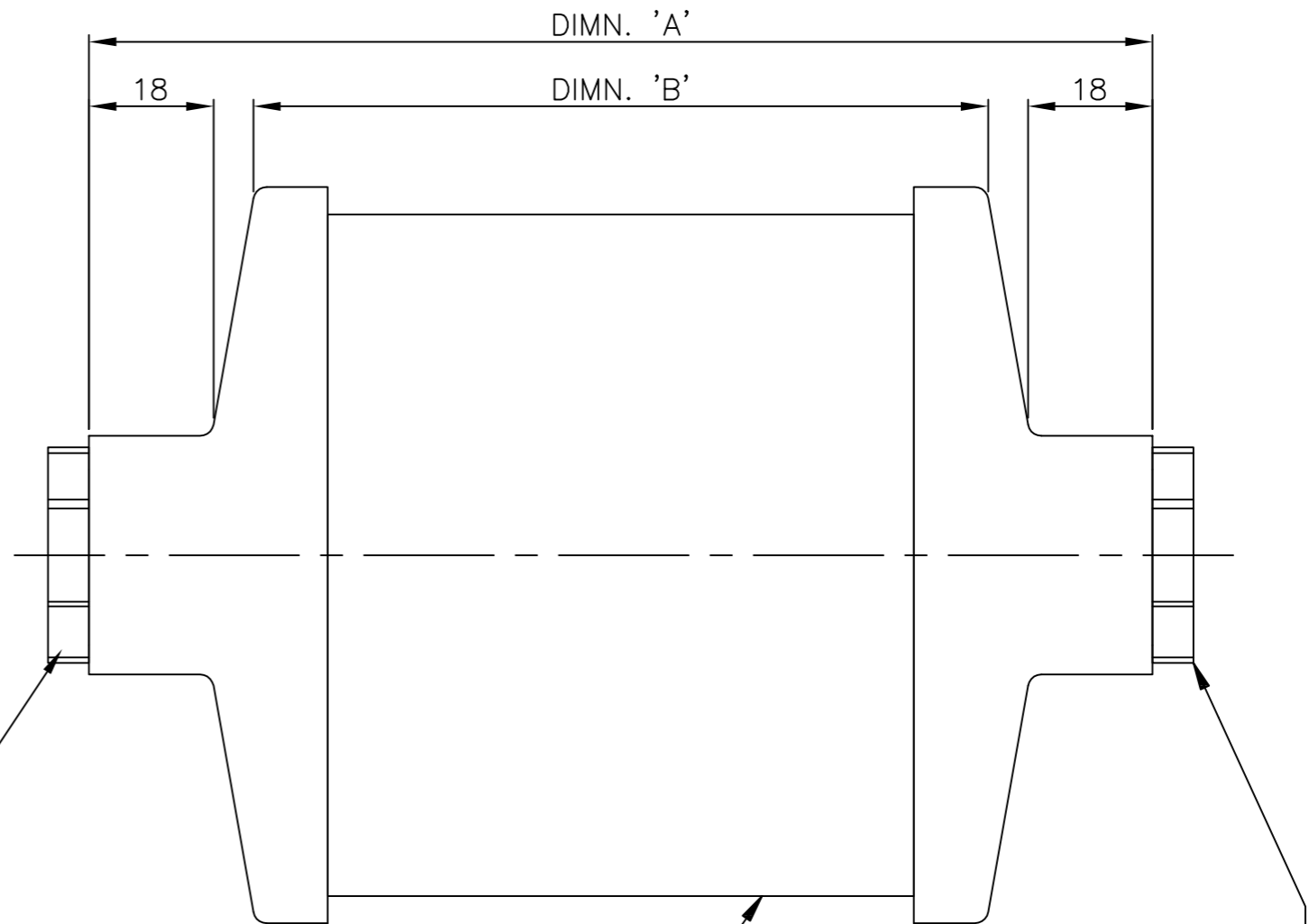
DO NOT SCALE - ASK



THIS DRAWING IS THE PROPERTY OF BROWNELL LTD. AND MAY NOT BE COPIED OR REPRODUCED WITHOUT THEIR PRIOR WRITTEN PERMISSION



DISPOSABLE PROTECTIVE PLUG



CLEAR POLYCARBONATE BODY FILLED WITH ENVIROGEL

DISPOSABLE PROTECTIVE PLUG

DRG No	SIZE	DIMN 'A'	DIMN 'B'
BL/D10787/01	LD1	157	108
BL/D10787/02	LD2	249	200
BL/D10787/03	LD3	351	302

ORIGINAL	CHANGE	MOD No	ISSUE	DATE
			1	25-01-11

<b>MATERIAL</b> GLASS LOADED & UV STABILIZED POLYCARBONATE	<b>PROTECTIVE FINISH</b> _____	<b>TOLERANCES</b> ±2	<b>BROWNELL Ltd. LONDON NW10 7XF</b>	<b>RED DOT=ORIGINAL</b> <b>BLACK DOT=COPY</b>	<b>DRAWN</b> AM	<b>CHECKED</b>
		<b>DIMENSIONS IN in/mm</b> mm				
<b>SURFACE ROUGHNESS</b> _____	<b>SCALE (ORIGINAL)</b> 1:1	<b>TITLE</b> IN-LINE DRYER (SIZES LD1, LD2 & LD3)				
<b>EST. WT.</b> _____						