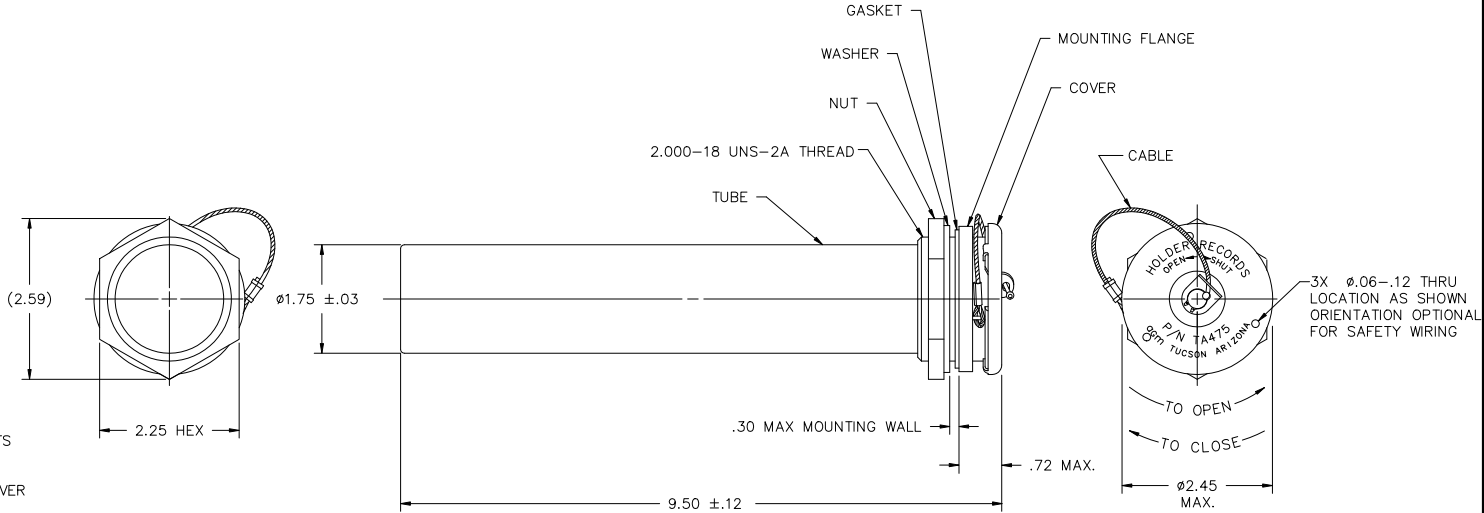


8 7 6 5 4 3 2 1

THIS DOCUMENT CONTAINS PROPRIETARY INFORMATION AND EXCEPT WITH WRITTEN PERMISSION BY AGM CONTAINER CONTROLS, INC. SUCH INFORMATION SHALL NOT BE PUBLISHED, DISCLOSED TO OTHERS OR USED FOR ANY PURPOSE AND THE DOCUMENT SHALL NOT BE DUPLICATED IN WHOLE OR IN PART.

REVISIONS				
ZONE	LTR.	DESCRIPTION	DATE	APPROVED
---	D	REDRAWN ON AUTOCAD. LH	10-10-88	B.C.
B7,B	E	NOTE 24 GASKET WAS: JAW MIL-R-6855, CL 2, TY A, GR 60. LH	6-30-00	B.C.
---	F	REVISED IAW DCN 04-002-N	JMC 1-12-04	B.C.



NOTES UNLESS OTHERWISE SPECIFIED:

1. SPECIFICATIONS:
 - 1.1 RECORDS HOLDER TUBE ACCOMODATES ROLLED DOCUMENTS OR SMALL TOOLS WITHIN $\phi 1.70 \times 9.0$ DEEP CHAMBER.
 - 1.2 FOR ACCESS TO RECORDS HOLDER CHAMBER: ROTATE COVER COUNTER CLOCKWISE APPROXIMATELY 30° AND REMOVE. TO INSTALL COVER: ALIGN TANGS ON COVER WITH NOTCHES IN FLANGE. PRESS COVER ONTO FLANGE AND ROTATE CLOCKWISE TO STOP.
2. MATERIAL:
 - 2.1 MOUNTING FLANGE, TUBE, NUT AND WASHER: ALUMINUM ALLOYS
 - 2.2 COVER: STAINLESS STEEL.
 - 2.3 CABLE: STAINLESS STEEL
 - 2.4 GASKET: SILICONE RUBBER IAW ZZ-R-765, CLASS 2A OR 2B, GRADE 60.
3. FINISH:
 - 3.1 ALUMINUM ALLOYS: CONVERSION COATED IAW MIL-C-5541, CLASS 1A.
 - 3.2 NUT ADDITIONALLY COATED WITH DRY FILM LUBRICANT.
 - 3.3 COVER: PASSIVATED IAW ASTM A967.
4. THIS ITEM IS NOT REPAIRABLE EXCEPT BY AGM CONTAINER CONTROLS, INC.
5. THE FOLLOWING ITEMS, WHICH ARE FURNISHED AS PART OF THIS ASSEMBLY, MAY BE PURCHASED SEPARATELY AS SPARES:

TA475-RC-15	REPLACEMENT COVER
770014-44	NUT
500016-6	WASHER
500080	GASKET

SPECIFICATION CONTROL DRAWING

<p>INTERPRET DIMENSIONS AND TOLERANCES IAW ASH 114.9M-1982</p> <p>UNLESS OTHERWISE SPECIFIED DIMENSIONS ARE IN INCHES TOLERANCES: ANGLES $\pm .5^\circ$</p> <p>DECIMALS .XXX $\pm .010$</p> <p>DO NOT SCALE DRAWING</p>		<p>CONTRACT</p> <p>DATE 10-4-88</p> <p>DRAWN L.HARTSIG</p> <p>CHECK K.BRADY</p> <p>APPROVED B.CROWLEY</p> <p>MANUFACTURING</p>		<p>DATE 10-10-88</p> <p>DATE 10-10-88</p>		<p>GMG CONTAINER CONTROLS, INC.</p> <p>P.O. BOX 40020 - TUCSON, ARIZONA 85717-0020</p>	
<p>FINISH 3.</p>		<p>SCALE 1/1</p>		<p>RELEASE DATE</p>		<p>SHEET 1 OF 1</p>	
<p>PART QTY. NEXT FINAL QTY. RECD PER ASSY.</p>		<p>USED ON APPLICATION</p>		<p>SMELZ TO</p>		<p>REV. DATE</p>	
<p>TA475-RC-15</p>		<p>TA475</p>		<p>08992</p>		<p>F</p>	