

4

3

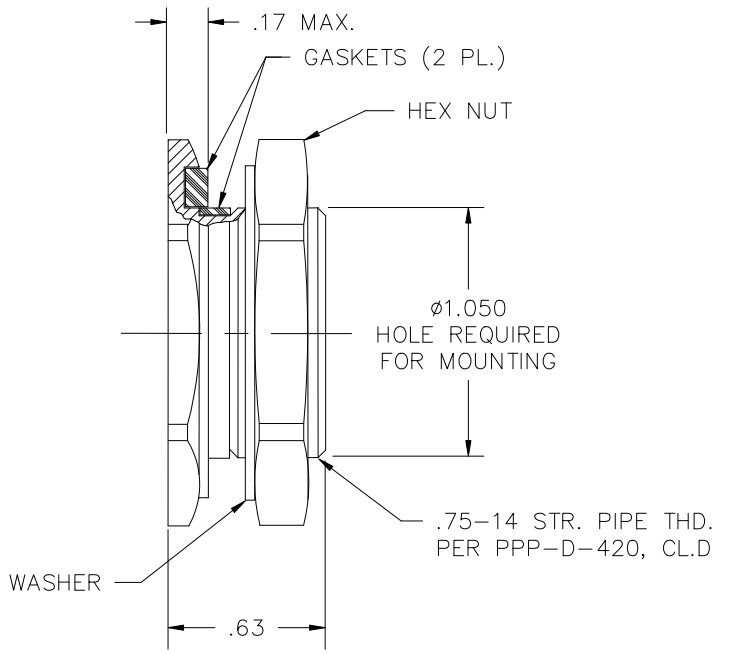
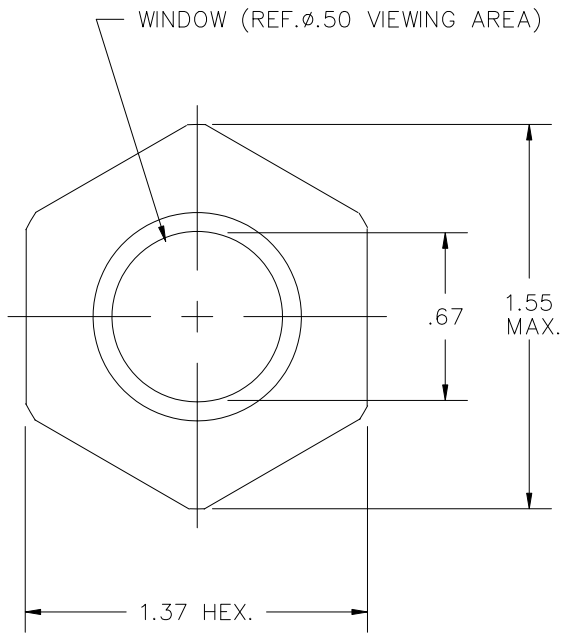
2

1

REVISIONS				
ZONE	LTR.	DESCRIPTION	DATE	APPROVAL

**APPROVED**  
By Eric Zuercher at 7:28 am, Feb 09, 2018

1. NOTES:  
SPECIFICATIONS:
- 1.1 THIS OBSERVATION WINDOW MEETS THE REQUIREMENTS OF SAE AS26860, TYPE II, AS APPLICABLE. FOR MOUNTING THRU A 1.05 DIA. HOLE.
  - 1.2 THIS UNIT IS DESIGNED FOR MOUNTING IN A RIGID CONTAINER, WITH A .25 INCH MAXIMUM WALL THICKNESS.
2. MATERIALS AND FINISH:
- 2.1 HOUSING, HEX NUT, WASHER, AND LOCKSCREW; BRASS IAW ASTM B16.
  - 2.2 FINISH; BRASS ZINC PLATED PER ASTM B633, ROHS-COMPLIANT.
  - 2.3 GASKETS; PER MIL-PRF-6855, CL. 2, GR.60.
  - 2.4 WINDOW; PLEXIGLAS PER MIL-P-5425.



				INTERPRET DIMENSIONS AND TOLERANCES IAW ASME Y14.5M-1994		CONTRACT NO.		AGM CONTAINER CONTROLS, INC.								
				UNLESS OTHERWISE SPECIFIED DIMENSIONS ARE IN INCHES		DRAWN M.ONTIVEROS		DATE 4-21-05		P.O. BOX 40020 - TUCSON, ARIZONA 85717-0020						
				TOLERANCES: DECIMALS .XX ±.015 .XXX ±.010		CHECK P. LANE		DATE 4-21-05		TITLE OBSERVATION WINDOW						
				ANGLES ±.5°		APPROVED P. LANE		DATE 4-21-05		SIZE B		FSCM NO. 08992		DWG. NO. TA450		REV. C
				DO NOT SCALE DRAWING		MANUFACTURING				SCALE NONE		RELEASE DATE		SHEET 1 OF		FILE TA450
PART DASH NO.	NEXT QTY. REQ'D PER ASSY.	FINAL	NEXT ASSY.	USED ON	SIMILAR TO	ACT. WT.	CALC. WT.	CUSTOMER								

4

3

2

1