

4

3

2

1

REVISIONS				
ZONE	LTR.	DESCRIPTION	DATE	APPROVAL

NOTES UNLESS OTHERWISE SPECIFIED:

1. PERFORMANCE:

1.1 HUMIDITY INDICATOR PERFORMANCE SHALL BE IAW SPECIFICATION SAE AS26860, AS INDICATED BELOW.

1.2 THE RELATIVE HUMIDITY OF THE CONTAINER AIR IS INDICATED BY SEGMENTS ON THE INDICATOR CARD. A BLUE COLOR IN SEGMENT INDICATES RH IS LESS THAN NUMBER IN THAT SEGMENT. A LAVENDER OR PINK COLOR IN SEGMENT INDICATES RH IS EQUAL TO OR GREATER THAN NUMBER IN THAT SEGMENT. COLOR CHANGE IS REVERSIBLE UNDER NORMAL CONDITIONS.

2. MATERIALS:

2.1 HOUSING: BRASS

2.2 O-RING GASKET: NEOPRENE.

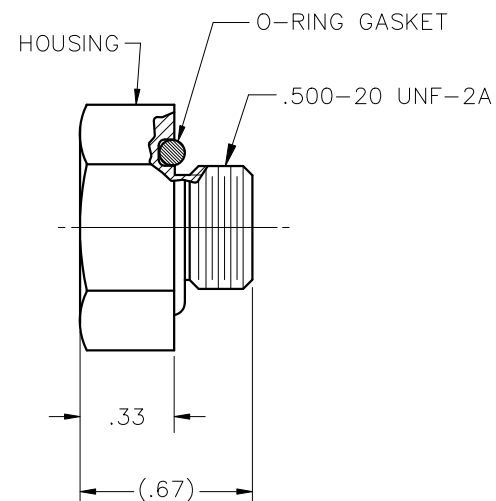
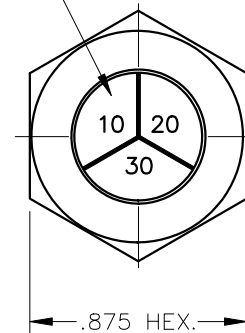
2.3 WINDOW: GLASS

2.4 INDICATOR CARD: CHEMICALLY IMPREGNATED BLOTTER PAPER IAW MIL-I-8835.

3. FINISH: HOUSING: ZINC PLATED IAW ASTM B633, ROHS-COMPLIANT.

4. SEE SHEET 2 FOR PART NUMBER TABLE.

1.2 HUMIDITY INDICATOR CARD SHOWN FOR REF. ONLY



				INTERPRET DIMENSIONS AND TOLERANCES IAW ASME Y14.5M-1994		CONTRACT NO.		AGM CONTAINER CONTROLS, INC.							
				UNLESS OTHERWISE SPECIFIED DIMENSIONS ARE IN INCHES		DRAWN R.CASAD		DATE 12-5-17		P.O. BOX 40020 - TUCSON, ARIZONA 85717-0020					
				DECIMALS .XX ±.015 ±.030		CHECK		TITLE HUMIDITY INDICATOR							
				ANGLES .XXX ±.010		APPROVED		By Eric Zuercher at 7:54 am, Feb 09, 2018							
				DO NOT SCALE DRAWING		MANUFACTURING		SIZE B		FSCM NO. 08992		DWG. NO. TA373		REV. -	
				FINISH 3.		CUSTOMER		SCALE 2/1		RELEASE DATE		SHEET 1 OF 2			
PART DASH NO.	QTY. REQ'D PER ASSY.	NEXT FINAL	NEXT ASSY.	USED ON	SIMILAR TO	ACT. WT.	CALC. WT.	SCALE 2/1		RELEASE DATE		SHEET 1 OF 2		FILE TA373	

4

3

2

1

4

3

2

1

REVISIONS				
ZONE	LTR.	DESCRIPTION	DATE	APPROVAL

PART NUMBER TABLE					
PART NUMBER	STANDARD ITEM	INDICATED HUMIDITY PERCENTAGE	SEGMENT TYPE	ADDITIONAL TEXT ON CARD	REPLACEMENT CARD PART NUMBER
TA373-123P	NO	10,20,30	PIE SHAPE		TA370-HC-123P
TA373-234P	YES	20, 30, 40	PIE SHAPE		TA370-HC-234P
TA373-2345P	NO	20, 30, 40, 50	PIE SHAPE		TA370-HC-2345P
TA373-345P	YES	30, 40, 50	PIE SHAPE		TA370-HC-345P
TA373-357P	NO	30, 50, 70	PIE SHAPE		TA370-HC-357P
TA373-3579P	NO	30, 50, 70, 90	PIE SHAPE		TA370-HC-3579P
TA373-456P	NO	40, 50, 60	PIE SHAPE		TA370-HC-456P
TA373-20	NO	20	WHOLE	REPRESERVE WHEN PINK	TA370-HC-20
TA373-40	NO	40	WHOLE	REPRESERVE WHEN PINK	TA370-HC-40
TA373-70	NO	70	WHOLE	REPRESERVE WHEN PINK	TA370-HC-70

SIZE	FSCM NO.	DWG. NO.	REV.
B	08992	TA373	—
SCALE NONE		SHEET 2 OF 2	

4

3

2

1