

4

3

2

1

| REVISIONS | | | | |
|-----------|------|-------------|------|----------|
| ZONE | LTR. | DESCRIPTION | DATE | APPROVAL |
| | | | | |

NOTES UNLESS OTHERWISE SPECIFIED:

1. PERFORMANCE:

1.1 HUMIDITY INDICATOR PERFORMANCE SHALL BE IAW SPECIFICATION SAE AS26860, AS INDICATED BELOW.

1.2 THE RELATIVE HUMIDITY OF THE CONTAINER AIR IS INDICATED BY SEGMENTS ON THE INDICATOR CARD. A BLUE COLOR IN SEGMENT INDICATES RH IS LESS THAN NUMBER IN THAT SEGMENT. A LAVENDER OR PINK COLOR IN SEGMENT INDICATES RH IS EQUAL TO OR GREATER THAN NUMBER IN THAT SEGMENT. COLOR CHANGE IS REVERSIBLE UNDER NORMAL CONDITIONS.

2. MATERIALS:

2.1 HOUSING & NUT: BRASS.

2.2 O-RING: NEOPRENE.

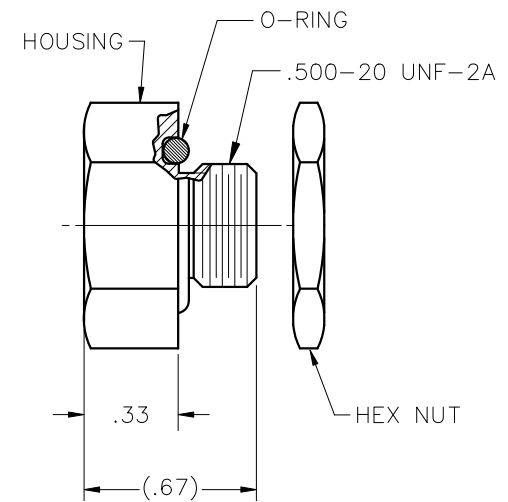
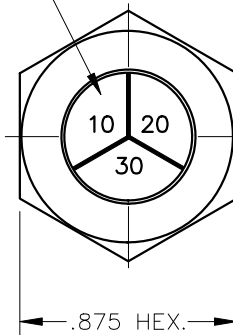
2.3 WINDOW: GLASS.

2.4 INDICATOR CARD: CHEMICALLY IMPREGNATED BLOTTER PAPER IAW MIL-I-8835.

3. HOUSING & NUT FINISH: ZINC PLATE IAW ASTM B633, ROHS-COMPLIANT.

4. PART NUMBER TABLE ON SHEET 2.

1.2 HUMIDITY INDICATOR CARD SHOWN FOR REF. ONLY



| | | | | | | | | | | | | | | | | | |
|---------------|--|----------------------|--|--|--|---|--|------------------------------|--|---|--|----------------|--|----------------|--|--------|--|
| | | | | INTERPRET DIMENSIONS AND TOLERANCES IAW ASME Y14.5M-1994 | | CONTRACT NO. | | AGM CONTAINER CONTROLS, INC. | | | | | | | | | |
| | | | | UNLESS OTHERWISE SPECIFIED DIMENSIONS ARE IN INCHES | | DRAWN R.CASAD | | DATE 12-5-17 | | P.O. BOX 40020 - TUCSON, ARIZONA 85717-0020 | | | | | | | |
| | | | | DECIMALS .XX ±.015 ±.030 .XXX ±.010 | | CHECK | | APPROVED | | TITLE HUMIDITY INDICATOR | | | | | | | |
| | | | | ANGLES ±.5° | | By Eric Zuercher at 8:10 am, Feb 09, 2018 | | | | SIZE B | | FSCM NO. 08992 | | DWG. NO. TA372 | | REV. - | |
| | | | | DO NOT SCALE DRAWING | | MANUFACTURING | | | | SCALE 2/1 | | RELEASE DATE | | SHEET 1 OF 2 | | | |
| | | | | FINISH 3. | | CUSTOMER | | | | | | | | | | | |
| PART DASH NO. | | QTY. REQ'D PER ASSY. | | NEXT FINAL | | NEXT ASSY. | | USED ON | | SIMILAR TO | | ACT. WT. | | CALC. WT. | | | |
| | | | | | | | | | | | | | | | | | |

4

3

2

1

4

3

2

1

D

D

C

C

B

B

A

A

| REVISIONS | | | | |
|-----------|------|-------------|------|----------|
| ZONE | LTR. | DESCRIPTION | DATE | APPROVAL |

| PART NUMBER TABLE | | | | | |
|-------------------|---------------|-------------------------------|--------------|-------------------------|------------------------------|
| PART NUMBER | STANDARD ITEM | INDICATED HUMIDITY PERCENTAGE | SEGMENT TYPE | ADDITIONAL TEXT ON CARD | REPLACEMENT CARD PART NUMBER |
| TA372-123P | NO | 10,20,30 | PIE SHAPE | | TA370-HC-123P |
| TA372-234P | YES | 20, 30, 40 | PIE SHAPE | | TA370-HC-234P |
| TA372-2345P | NO | 20, 30, 40, 50 | PIE SHAPE | | TA370-HC-2345P |
| TA372-345P | YES | 30, 40, 50 | PIE SHAPE | | TA370-HC-345P |
| TA372-357P | NO | 30, 50, 70 | PIE SHAPE | | TA370-HC-357P |
| TA372-3579P | NO | 30, 50, 70, 90 | PIE SHAPE | | TA370-HC-3579P |
| TA372-456P | NO | 40, 50, 60 | PIE SHAPE | | TA370-HC-456P |
| TA372-20 | NO | 20 | WHOLE | REPRESERVE WHEN PINK | TA370-HC-20 |
| TA372-40 | NO | 40 | WHOLE | REPRESERVE WHEN PINK | TA370-HC-40 |
| TA372-70 | NO | 70 | WHOLE | REPRESERVE WHEN PINK | TA370-HC-70 |

| | | | |
|-------|----------|----------|-------|
| SIZE | FSCM NO. | DWG. NO. | REV. |
| B | 08992 | TA372 | — |
| SCALE | SHEET | | FILE |
| NONE | 2 OF 2 | | TA372 |

4

3

2

1