

4

3

2

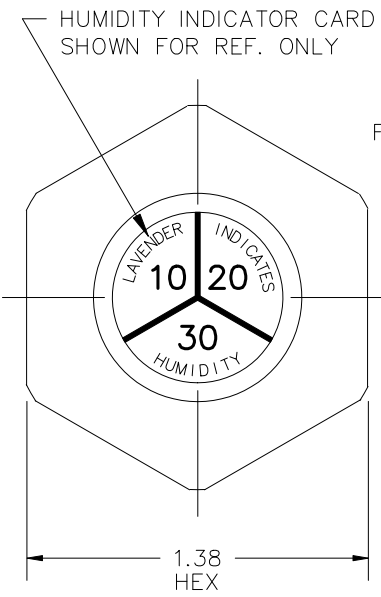
1

NOTES UNLESS OTHERWISE SPECIFIED:

- 1. APPLICABLE SPECIFICATION: SAE AS26860 TYPE II.
- 2. SEE TABLE ON SHEET 2 FOR PART NUMBERS.
- 3. RELATIVE HUMIDITY OF AIR IN CONTAINER IS INDICATED BY SEGMENTS. A BLUE SEGMENT INDICATES RH IS LESS THAN NUMBER IN SEGMENT. PINK OR LAVENDER INDICATES RH IS EQUAL TO OR GREATER THAN NUMBER IN SEGMENT. COLOR CHANGE IS REVERSIBLE UNDER NORMAL CONDITIONS.
- 4. MATERIALS:
  - 4.1 HOUSING, NUT, AND LOCKSCREW (NOT SHOWN): ALUMINUM ALLOYS.
  - 4.2 GASKETS: SYNTHETIC RUBBER PER MIL-PRF-6855, CLASS 2, GRADE 60.
  - 4.3 WINDOW: PLEXIGLAS IAW MIL-PRF-5425.
  - 4.4 HUMIDITY INDICATOR CARD: CHEMICALLY IMPREGNATED BLOTTER PAPER PER MIL-I-8835.
- 5. THE FOLLOWING ITEMS, FURNISHED AS PART OF THIS ASSEMBLY, MAY BE PURCHASED AS SPARE PARTS:

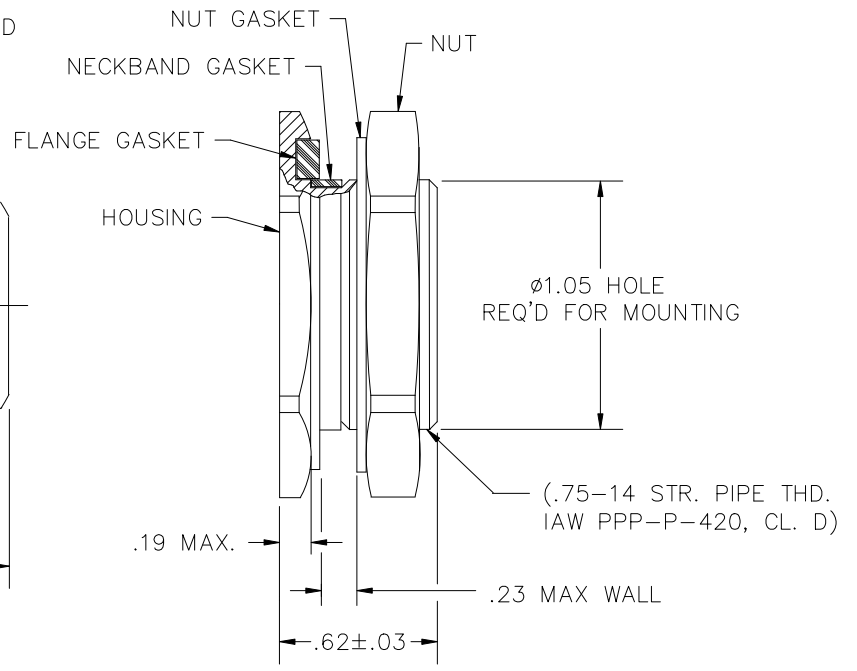
PART NO.	DESCRIPTION
350051	FLANGE GASKET
350057	NECKBAND GASKET
356062	NUT GASKET
356056-16	NUT

- 6. FINISH: ALUMINUM ALLOYS CLEAR ANODIZED IAW MIL-A-8625, TYPE II, CLASS 1.
- 7. RECOMMENDED INSTALLATION TORQUE: 30-40 IN-LBS.



REVISIONS				
ZONE	LTR.	DESCRIPTION	DATE	APPROVAL

**APPROVED**  
By Eric Zuercher at 10:20 am, Jan 11, 2019



				INTERPRET DIMENSIONS AND TOLERANCES IAW ANSI Y14.5M-1982		CONTRACT NO.	
				UNLESS OTHERWISE SPECIFIED DIMENSIONS ARE IN INCHES		DRAWN M.ONTIVEROS DATE 4-25-16	
				TOLERANCES: DECIMALS .XX ±.02 .XXX ±.010 ANGLES ±.5°		CHECK E.ZUERCHER 4-26-16	
				DO NOT SCALE DRAWING		APPROVED E.ZUERCHER 4-26-16	
				FINISH 6.		MANUFACTURING	
				SIMILAR TO		CUSTOMER	
				ACT. WT.			
				CALC. WT.			
				APPLICATION			
				QTY. REQ'D PER ASSY.			
				NEXT FINAL			
				NEXT ASSY.			
				USED ON			

<b>AGM CONTAINER CONTROLS, INC.</b>			
P.O. BOX 40020 - TUCSON, ARIZONA 85717-0020			
TITLE <b>HUMIDITY INDICATOR</b>			
SIZE <b>B</b>	FSCM NO. <b>08992</b>	DWG. NO. <b>TA356</b>	REV. <b>A</b>
SCALE NONE		RELEASE DATE	
SHEET 1 OF 2			FILE TA356

4

3

2

1

4

3

2

1

REVISIONS				
ZONE	LTR.	DESCRIPTION	DATE	APPROVAL

PART NUMBER TABLE

PART NUMBER	STANDARD ITEM	INDICATED HUMIDITY PERCENTAGE	SEGMENT TYPE	ADDITIONAL TEXT ON CARD	REPLACEMENT CARD PART NUMBER
TA356-2345S	NO	20, 30, 40, 50	CIRCLES	LAVENDER DOT INDICATES % REL HUMIDITY	TA356-HC-2345S
TA356-2345P	YES	20, 30, 40, 50	PIE SHAPE	LAVENDER INDICATES HUMIDITY	TA356-HC-2345P
TA356-345S	NO	30,40,50	CIRCLES	LAVENDER DOT INDICATES % REL HUMIDITY	TA356-HC-345S
TA356-123P	YES	10,20,30	PIE SHAPE	LAVENDER INDICATES HUMIDITY	TA356-HC-123P
TA356-234P	YES	20,30,40	PIE SHAPE	LAVENDER INDICATES HUMIDITY	TA356-HC-234P
TA356-345P	YES	30,40,50	PIE SHAPE	LAVENDER INDICATES HUMIDITY	TA356-HC-345P
TA356-3456P	YES	30,40,50,60	PIE SHAPE	LAVENDER INDICATES HUMIDITY	TA356-HC-3456P
TA356-246P	YES	20, 40, 60	PIE SHAPE	LAVENDER INDICATES HUMIDITY	TA356-HC-246P
TA356-456P	YES	40, 50, 60	PIE SHAPE	LAVENDER INDICATES HUMIDITY	TA356-HC-456P
TA356-567P	NO	50, 60, 70	PIE SHAPE	LAVENDER INDICATES HUMIDITY	TA356-HC-567P
TA356-40	YES	40	WHOLE	REPRESERVE WHEN PINK	TA356-HC-40

SIZE	FSCM NO.	DWG. NO.	REV.
B	08992	TA356	A
SCALE	NONE	SHEET	2

4

3

2

1