

4

3

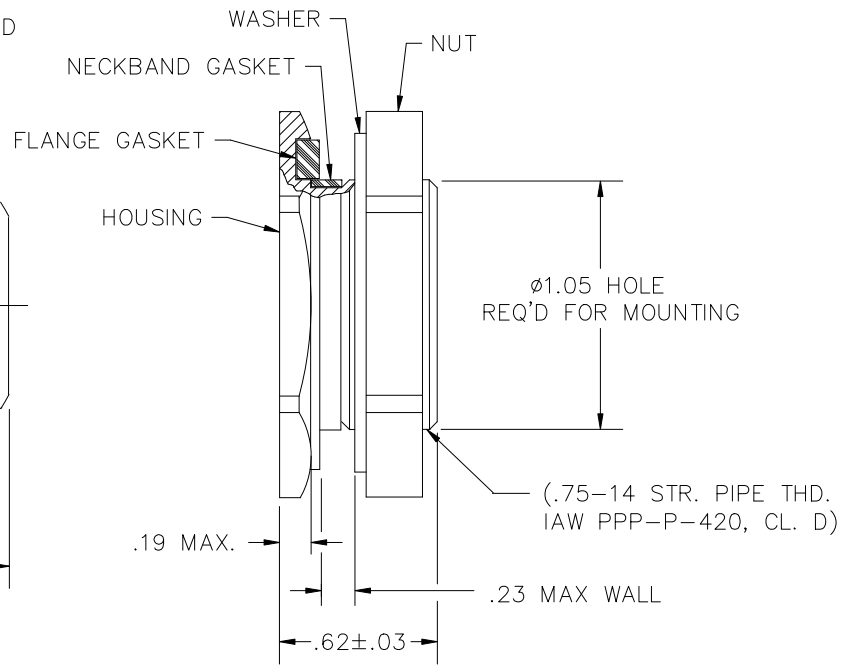
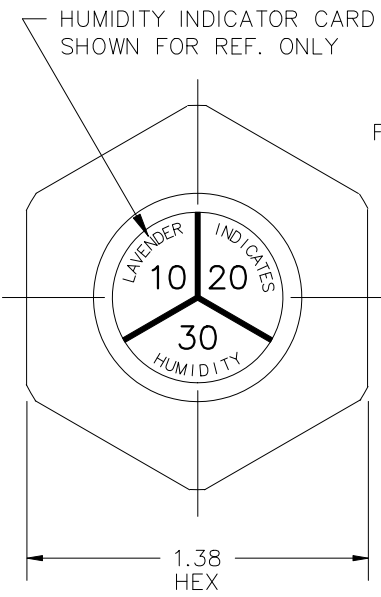
2

1

NOTES UNLESS OTHERWISE SPECIFIED:

1. APPLICABLE SPECIFICATION: SAE AS26860 TYPE II.
2. SEE TABLE ON SHEET 2 FOR PART NUMBERS.
3. RELATIVE HUMIDITY OF AIR IN CONTAINER IS INDICATED BY SEGMENTS. A BLUE SEGMENT INDICATES RH IS LESS THAN NUMBER IN SEGMENT. PINK OR LAVENDER INDICATES RH IS EQUAL TO OR GREATER THAN NUMBER IN SEGMENT. COLOR CHANGE IS REVERSIBLE UNDER NORMAL CONDITIONS.
4. MATERIALS:
 - 4.1 HOUSING, NUT, WASHER, AND LOCKSCREW (NOT SHOWN): BRASS.
 - 4.2 GASKETS: SYNTHETIC RUBBER PER MIL-PRF-6855, CLASS 2, GRADE 60.
 - 4.3 WINDOW: PLEXIGLAS IAW MIL-PRF-5425.
 - 4.4 HUMIDITY INDICATOR CARD: CHEMICALLY IMPREGNATED BLOTTER PAPER PER MIL-I-8835.
5. THE FOLLOWING ITEMS, FURNISHED AS PART OF THIS ASSEMBLY, MAY BE PURCHASED AS SPARE PARTS:

APPROVED
By Eric Zuercher at 9:13 am, Feb 09, 2018



PART NO.	DESCRIPTION
350051	FLANGE GASKET
350057	NECKBAND GASKET
350058-70	NUT
350059-70	WASHER

6. FINISH: BRASS COMPONENTS EXCEPT LOCKSCREW (NOT SHOWN) ZINC PLATED IAW ASTM B633, ROHS-COMPLIANT.

7. RECOMMENDED INSTALLATION TORQUE: 30-40 IN-LBS.

				INTERPRET DIMENSIONS AND TOLERANCES IAW ANSI Y14.5M-1982		CONTRACT NO.		AGM CONTAINER CONTROLS, INC.			
				UNLESS OTHERWISE SPECIFIED DIMENSIONS ARE IN INCHES		DRAWN M.ONTIVEROS		DATE 10-3-16		P.O. BOX 40020 - TUCSON, ARIZONA 85717-0020	
				DECIMALS .XX ±.02 .XXX ±.010		CHECK E.ZUERCHER		DATE 10-21-16		TITLE HUMIDITY INDICATOR	
				TOLERANCES: ANGLES ±.5°		APPROVED E.ZUERCHER		DATE 10-21-16		SIZE B	
				DO NOT SCALE DRAWING		MANUFACTURING				FSCM NO. 08992	
				FINISH 6.		CUSTOMER				DWG. NO. TA350	
				SIMILAR TO						REV. A	
				ACT. WT.						SCALE NONE	
				CALC. WT.						RELEASE DATE	
				APPLICATION						SHEET 1 OF 2	
				PART DASH NO.						FILE TA350	
				QTY. REQ'D PER ASSY.							
				NEXT FINAL							
				NEXT ASSY.							
				USED ON							

4

3

2

1

4

3

2

1

REVISIONS				
ZONE	LTR.	DESCRIPTION	DATE	APPROVAL

PART NUMBER TABLE					
PART NUMBER	STANDARD ITEM	INDICATED HUMIDITY PERCENTAGE	SEGMENT TYPE	ADDITIONAL TEXT ON CARD	REPLACEMENT CARD PART NUMBER
TA350-123P	YES	10,20,30	PIE SHAPE	LAVENDER INDICATES HUMIDITY	TA356-HC-123P
TA350-234S	NO	20,30,40	CIRCLES	LAVENDER DOT INDICATES % REL HUMIDITY	TA356-HC-234S
TA350-234P	YES	20,30,40	PIE SHAPE	LAVENDER INDICATES HUMIDITY	TA356-HC-234P
TA350-2345S	NO	20, 30, 40, 50	CIRCLES	LAVENDER DOT INDICATES % REL HUMIDITY	TA356-HC-2345S
TA350-2345P	YES	20, 30, 40, 50	PIE SHAPE	LAVENDER INDICATES HUMIDITY	TA356-HC-2345P
TA350-246P	YES	20, 40, 60	PIE SHAPE	LAVENDER INDICATES HUMIDITY	TA356-HC-246P
TA350-345P	YES	30,40,50	PIE SHAPE	LAVENDER INDICATES HUMIDITY	TA356-HC-345P
TA350-3456P	YES	30,40,50,60	PIE SHAPE	LAVENDER INDICATES HUMIDITY	TA356-HC-3456P
TA350-357P	NO	30,50,70	PIE SHAPE	LAVENDER INDICATES HUMIDITY	TA356-HC-357P
TA350-456P	YES	40, 50, 60	PIE SHAPE	LAVENDER INDICATES HUMIDITY	TA356-HC-456P
TA350-40	YES	40	WHOLE	REPRESERVE WHEN PINK	TA356-HC-40

SIZE	FSCM NO.	DWG. NO.	REV.
B	08992	TA350	A
SCALE NONE		SHEET 2	

4

3

2

1