

4

3

2

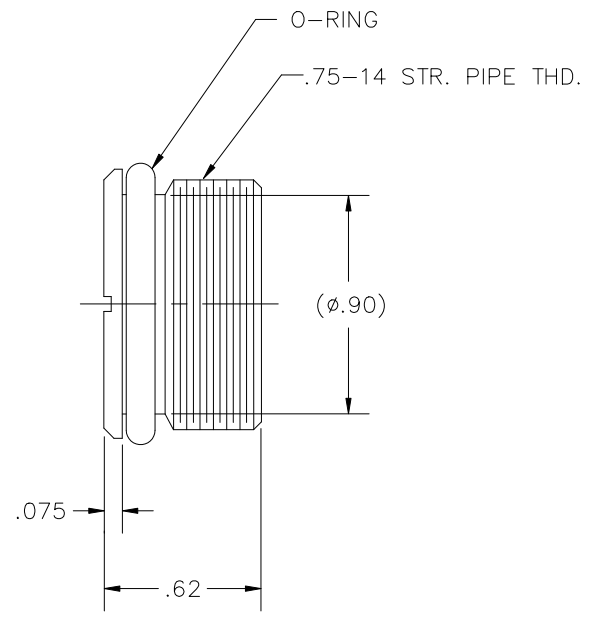
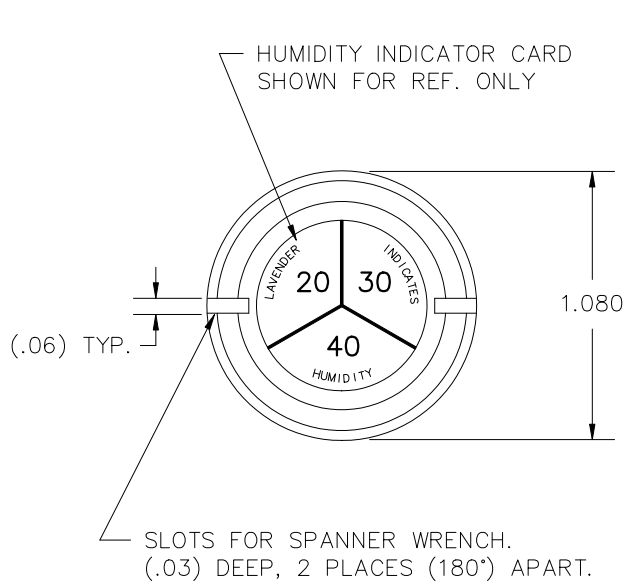
1

THIS DOCUMENT CONTAINS PROPRIETARY INFORMATION AND EXCEPT WITH WRITTEN PERMISSION BY AGM CONTAINER CONTROLS, INC. SUCH INFORMATION SHALL NOT BE PUBLISHED, DISCLOSED TO OTHERS OR USED FOR ANY PURPOSE AND THE DOCUMENT SHALL NOT BE DUPLICATED IN WHOLE OR IN PART.

REVISIONS				
ZONE	LTR.	DESCRIPTION	DATE	APPROVAL

NOTES UNLESS OTHERWISE SPECIFIED:

1. APPLICABLE SPECIFICATION: SAE AS26860 TYPE I.
2. SEE TABLE ON SHEET 2 FOR PART NUMBERS.
3. THIS HUMIDITY INDICATOR PLUG IS DESIGNED FOR MOUNTING IN A THREADED BOSS.
4. RELATIVE HUMIDITY OF AIR IN CONTAINER IS INDICATED BY SEGMENT(S). A BLUE SEGMENT INDICATES RH IS LESS THAN NUMBER IN SEGMENT. PINK OR LAVENDER INDICATES RH IS EQUAL TO OR GREATER THAN NUMBER IN SEGMENT. COLOR CHANGE IS REVERSIBLE UNDER NORMAL CONDITIONS.
5. MATERIALS:
 - 5.1 HOUSING AND LOCKSCREW: ALUMINUM ALLOYS.
 - 5.2 O-RING: NEOPRENE OR NITRILE.
 - 5.3 WINDOW: PLEXIGLAS PER MIL-P-5425.
 - 5.4 HUMIDITY INDICATOR CARD: CHEMICALLY IMPREGNATED BLOTTER PAPER PER MIL-I-8835.
6. FINISH: ALUMINUM ALLOYS: ANODIZED PER MIL-A-8625, TYPE II, CLASS 1.
6. RECOMMENDED INSTALLATION TORQUE: 20-30 IN-LBS.



SPECIFICATION CONTROL DRAWING

				INTERPRET DIMENSIONS AND TOLERANCES IAW ANSI Y14.5M-1982		CONTRACT NO.		AGM CONTAINER CONTROLS, INC.			
				UNLESS OTHERWISE SPECIFIED DIMENSIONS ARE IN INCHES		DRAWN M.ONTIVEROS		DATE 2-16-16		P.O. BOX 40020 - TUCSON, ARIZONA 85717-0020	
				TOLERANCES: ANGLES ±.5°		CHECK		TITLE HUMIDITY INDICATOR			
				DECIMALS .XX ±.02 .XXX ±.010		APPROVED By Eric Zuercher at 9:50 am, Feb 16, 2016		SIZE B		FSCM NO. 08992	
				DO NOT SCALE DRAWING		MANUFACTURING		DWG. NO. TA348		REV. -	
				FINISH 6.		CUSTOMER		SCALE 2/1		RELEASE DATE	
PART DASH NO.	QTY. REQ'D PER ASSY.	FINAL	NEXT ASSY.	USED ON	SIMILAR TO	ACT. WT.	CALC. WT.	SHEET 1 OF 2		FILE	

4

3

2

1

4

3

2

1

D

D

C

C

B

B

A

A

REVISIONS				
ZONE	LTR.	DESCRIPTION	DATE	APPROVAL

PART NUMBER TABLE				
PART NUMBER	INDICATED HUMIDITY PERCENTAGE(S)	SEGMENT TYPE	ADDITIONAL TEXT ON CARD	REPLACEMENT CARD PART NUMBER
TA348-123P	10, 20, 30	PIE SHAPE	LAVENDER INDICATES HUMIDITY	TA356-HC-123P
TA348-234P	20, 30, 40	PIE SHAPE	LAVENDER INDICATES HUMIDITY	TA356-HC-234P
TA348-246P	20, 40, 60	PIE SHAPE	LAVENDER INDICATES HUMIDITY	TA356-HC-246P
TA348-345P	30, 40, 50	PIE SHAPE	LAVENDER INDICATES HUMIDITY	TA356-HC-345P
TA348-3456P	30, 40, 50, 60	PIE SHAPE	LAVENDER INDICATES HUMIDITY	TA356-HC-3456P
TA348-40	40	WHOLE CARD	REPRESERVE WHEN PINK	TA356-HC-40
TA348-60	60	WHOLE CARD	REPRESERVE WHEN PINK	TA356-HC-60

SIZE	FSCM NO.	DWG. NO.	REV.
B	08992	TA348	—
SCALE	1/1	SHEET	2
		FILE	1

4

3

2

1