

4

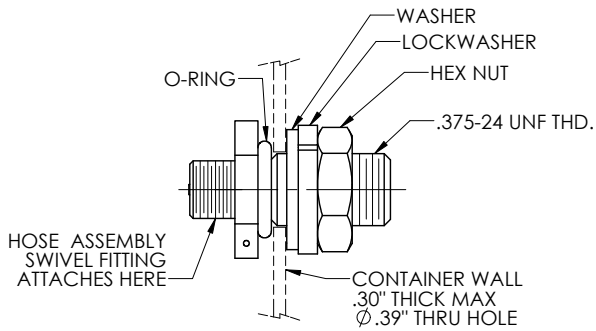
3

2

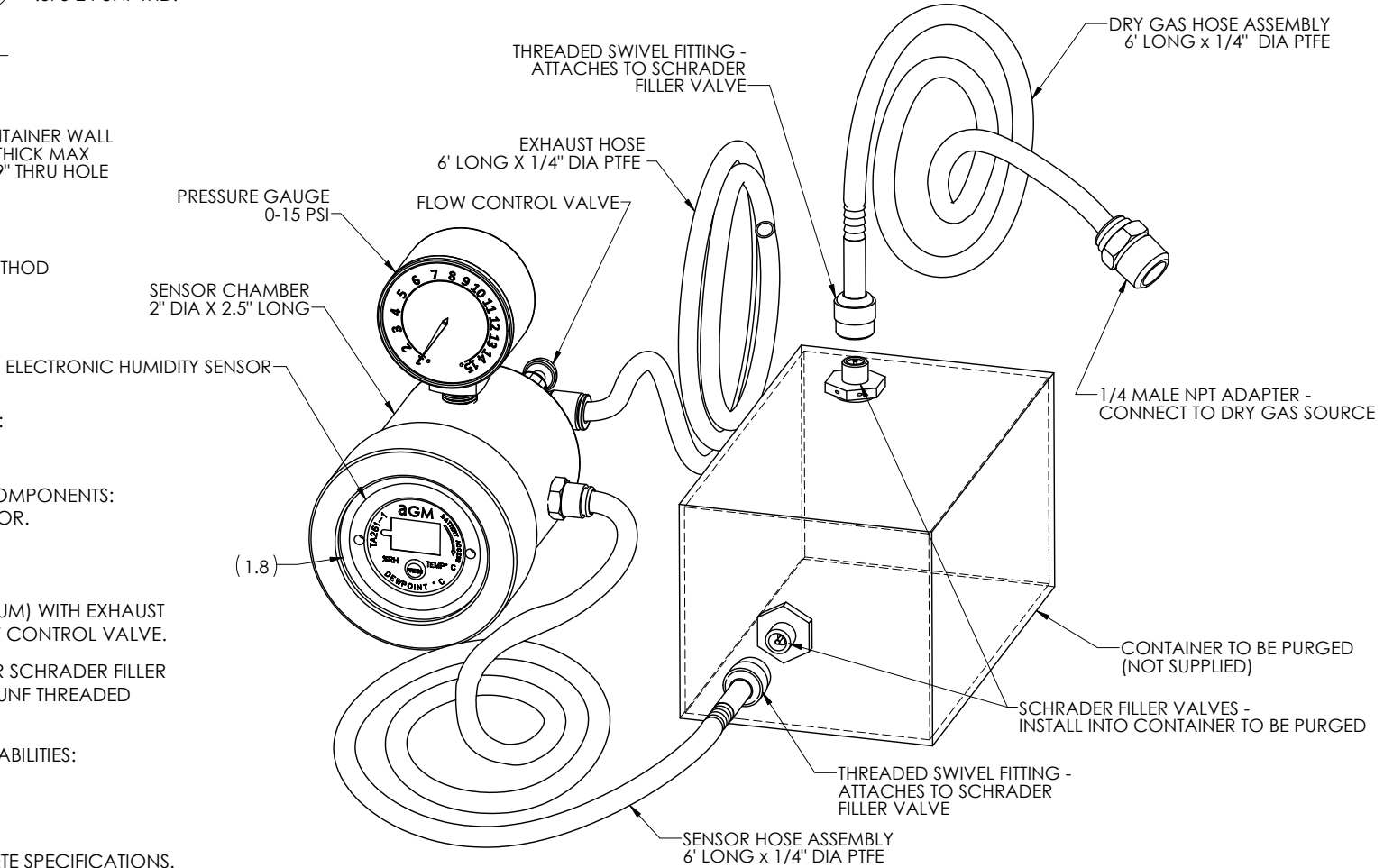
1

THIS DOCUMENT CONTAINS PROPRIETARY INFORMATION AND EXCEPT WITH WRITTEN PERMISSION BY AGM CONTAINER CONTROLS, INC. SUCH INFORMATION SHALL NOT BE PUBLISHED, DISCLOSED TO OTHERS OR USED FOR ANY PURPOSE AND THE DOCUMENT SHALL NOT BE DUPLICATED IN WHOLE OR IN PART.

REVISIONS				DATE	APPROVED
ZONE	LTR.	DESCRIPTION			
					APPROVED By Eric Zuercher at 10:59 am, Jun 16, 2017



SCHRADER FILLER VALVE MOUNTING DETAILS
VALVE CAP NOT SHOWN
SEE NOTE 3 FOR ALTERNATE METHOD



NOTES UNLESS OTHERWISE SPECIFIED:

- DESCRIPTION: PURGE KIT.
- KIT CONSISTS OF THE FOLLOWING COMPONENTS:
1 EACH ELECTRONIC HUMIDITY SENSOR.
2 EACH SCHRADER FILLER VALVES.
1 EACH DRY GAS HOSE ASSEMBLY.
1 EACH SENSOR HOSE ASSEMBLY.
1 EACH SENSOR CHAMBER (ALUMINUM) WITH EXHAUST HOSE, PRESSURE GAUGE, AND FLOW CONTROL VALVE.
- ALTERNATE MOUNTING METHOD FOR SCHRADER FILLER VALVE: INSTALL VALVE INTO .375-24 UNF THREADED HOLE, DISCARD NUT AND WASHERS.
- ELECTRONIC HUMIDITY SENSOR CAPABILITIES:
RELATIVE HUMIDITY (5 TO 80% RH)
TEMPERATURE (-20°C TO 60°C)
DEWPOINT (-30°C TO 20°C)
SEE DRAWING TA261-1 FOR COMPLETE SPECIFICATIONS.
- WARNING:** ASPHYXIATION COULD OCCUR WITH SOME PURGE GASES. ALWAYS USE IN WELL VENTILATED AREA OR EXHAUST PURGE GAS TO OUTDOORS.

SPECIFICATION CONTROL DRAWING

				INTERPRET DIMENSIONS AND TOLERANCES IAW ANSI Y14.5M-1994 UNLESS OTHERWISE SPECIFIED DIMENSIONS ARE IN INCHES TOLERANCES: DECIMALS .XX ± .015, .XXX ± .010; ANGLES ± .5°		CONTRACT DRAWN: M.ONTIVEROS, DATE: 8-1-13 CHECK: E.ZUERCHER, 11-13-13 APPROVED: E.ZUERCHER, 11-13-13 MANUFACTURING		AGM CONTAINER CONTROLS, INC. P.O. BOX 40020 - TUCSON, ARIZONA 85717-0020			
				DO NOT SCALE DRAWING				PURGE KIT			
				FINISH:				SIZE: C , FSCM NO.: 08992 , DWG. NO.: 702100 , REV: F			
PART DASH NO.	NEXT QTY. REQ'D PER ASSY.	FINAL	NEXT ASSY.	USED ON	SIMILAR TO	ACT. WT.	ISALC. WT.	SCALE: 1/2	RELEASE DATE	SHEET 1 OF 1	

4

3

2

1