

8 7 6 5 4 3 2 1

REVISIONS					
ZONE	LTR.	DESCRIPTION	DATE	APPROVED	
---	A	REVISED IAW DCN 05-006-N	JMO 2-9-05	P.M.L.	
CB	B	NOTE 2.3 WAS "SEE DWG 825623"	JMO 1-18-07	E.J.Z.	

NOTES UNLESS OTHERWISE SPECIFIED:

1. DESCRIPTION: SHELVING KIT, INTENDED FOR USE WITH ISO 7166 SLOT AND HOLE TRACK (SEE AGM DRAWING 825011 AND 825705) OR CONSULT AGM FOR AVAILABLE TRACK SECTIONS. SEE TABLE BELOW FOR DESCRIPTION AND QUANTITY OF COMPONENTS SUPPLIED WITH EACH KIT.

2. MATERIALS:

2.1 SHELVING PLATFORM: 6061-T6 ALUMINUM EXTRUSION IAW SAE AMS QQ-A-200/8; 6.102 +.030-.054 WIDE, (3) EACH. ALTERNATE 6005-T5 IAW ASTM B221.

2.2 CUSHION: COMMERCIAL QUALITY, CLOSED CELL, POLYVINYL CHLORIDE FOAM. UNCOMPRESSED THICKNESS APPROXIMATELY 0.38 INCH. CUSHION BONDED TO SHELVING PLATFORM WITH PERMANENT ACRYLIC PRESSURE SENSITIVE ADHESIVE.

2.3 BRACKET: 6061-T6 OR HIGHER TEMPER ALUMINUM ALLOY IAW ASTM B209.

2.4 STRAP ASSEMBLY: SEE DRAWING CT2961-18. STRAP ASSEMBLY CT1109, WITH QUARTER-TURN QUICK RELEASE END FITTING FOR FASTENING INTO THE GROOVES IN TOP SURFACE OF SHELVING PLATFORM, IS ALSO AVAILABLE.

3. ASSEMBLY PROCEDURE: SEE SHEET 2 FOR DIAGRAMS.

3.1 INSERT STUDS OF BRACKET INTO HOLES OF SLOT AND HOLE TRACK. SLIDE BRACKET UP OR DOWN AND THE LATCH ASSEMBLY WILL SNAP IN PLACE, HOLDING THE BRACKET AT THAT ELEVATION.

3.2 PULL THE HANDLE OF THE LATCH ASSEMBLY TO ADJUST BRACKET ELEVATION.

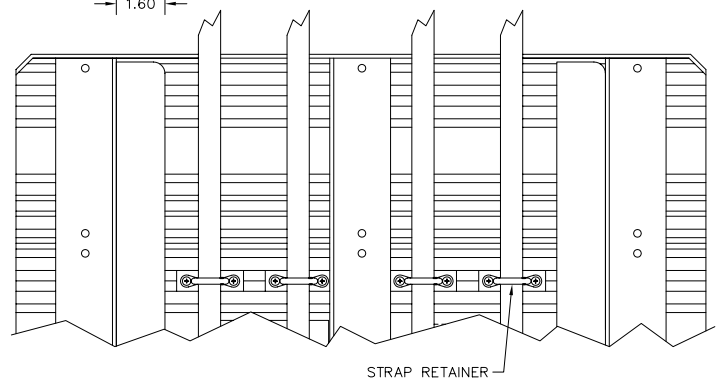
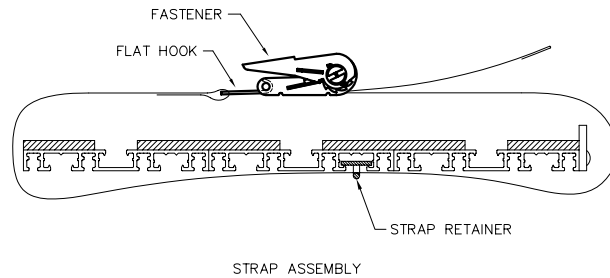
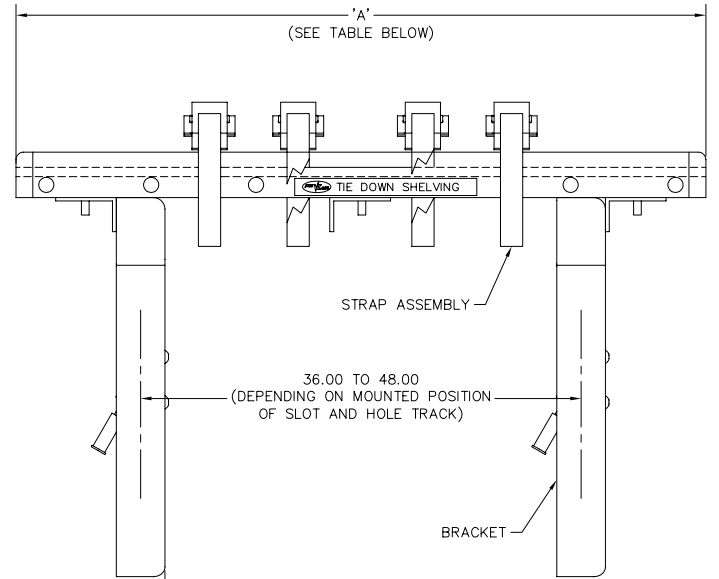
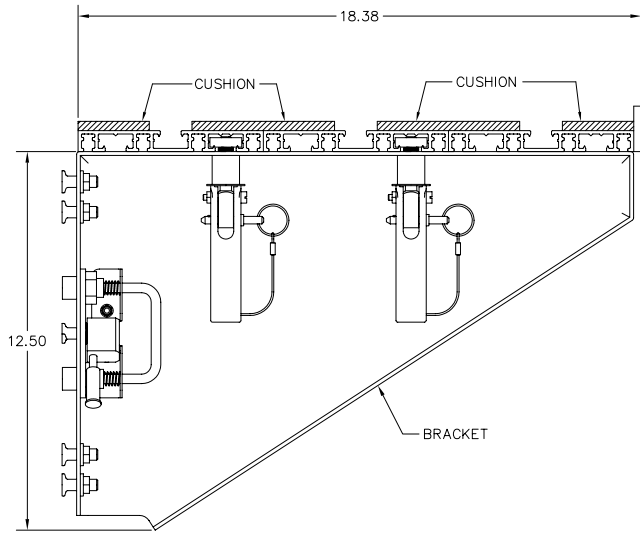
3.3 WHEN FINISHED WITH ELEVATION ADJUSTMENT, LOCK LATCH ASSEMBLY BY ROTATING HANDLE OF LATCH ASSEMBLY INTO DETENT.

3.4 REPEAT STEPS 3.1 THROUGH 3.3 FOR SECOND BRACKET.

3.5 WITH THE CAM ASSEMBLIES OF BOTH BRACKETS IN THE UNLOCKED POSITION, PLACE SHELVING PLATFORM ON TOP OF BRACKETS WITH THE QUARTER-TURN FASTENERS LINED UP WITH GROOVES AS SHOWN.

3.6 ROTATE EACH CAM ASSEMBLY 90° TO ENGAGE QUARTER-TURN FASTENER WITH LIPS OF THE LARGE, BOTTOM GROOVE IN SHELVING PLATFORM. PUSH THE HANDLE OF EACH CAM ASSEMBLY DOWN TO CLAMP SHELVING PLATFORM IN PLACE. INSERT LOCKING PIN INTO HOLE OF EACH CAM ASSEMBLY.

4. UPON REQUEST, SHELVING MAY BE SUPPLIED IN LENGTHS OTHER THAN THOSE SHOWN IN TABLE BELOW.



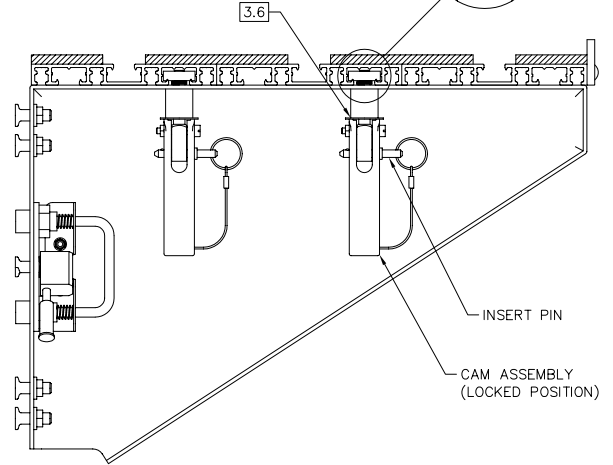
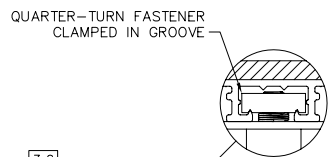
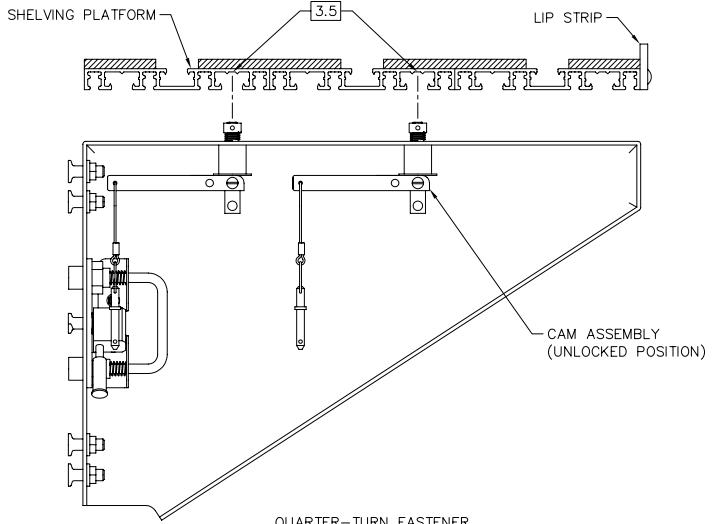
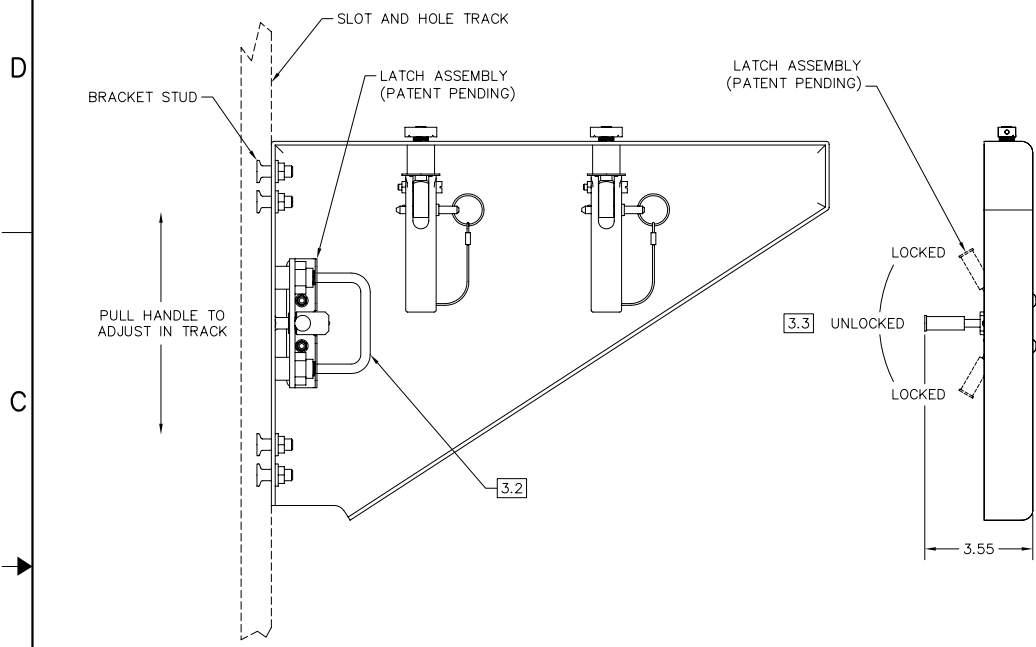
PART NO.	DIM 'A' ±.10	BRACKETS	STRAP ASSY
KT18-2400	24.00	2	2
KT18-2800	28.00	2	3
KT18-3000	30.00	2	3
KT18-3600	36.00	2	3
KT18-4200	42.00	2	4
KT18-4800	48.00	2	4
KT18-6000	60.00	2	4

PART NO.		NEXT FINAL		NEXT ASSY.		USED ON		SIMILAR TO		ADT. WT. CALC. WT.		CUSTOMER	
DASH NO.		QTY. REQ'D PER ASSY.		APPLICATION									
DRAWN		DATE		CHECK		APPROVED		MANUFACTURING		SCALE		RELEASE DATE	
E. BINNIE		12-1-03		P. LANE		2-9-05		P. LANE		2-9-05			
TITLE		SIZE		FSCM NO.		DWG. NO.		REV		SHEET		1 OF 2	
18" KEVLOK QUICK-ADJUST SHELF		D		08992		KT18		B					

OGM CONTAINER CONTROLS, INC.
P.O. BOX 40020 - TUCSON, ARIZONA 85717-0020

8 7 6 5 4 3 2 1

REVISIONS					
ZONE	LTR.	DESCRIPTION	DATE	APPROVED	
---	A	NO CHG TO THIS SHEET. SEE DCN 05-006-N	JMO 2-9-05	P.M.L.	
---	B	NO CHANGE TO THIS SHEET	JMO 1-18-07	E.J.Z.	



D
C
B
A

D
C
B
A

SIZE	FSCM NO.	DWG. NO.	REV
D	08992	KT18	B
SCALE 1/1	RELEASE DATE	SHEET 2	