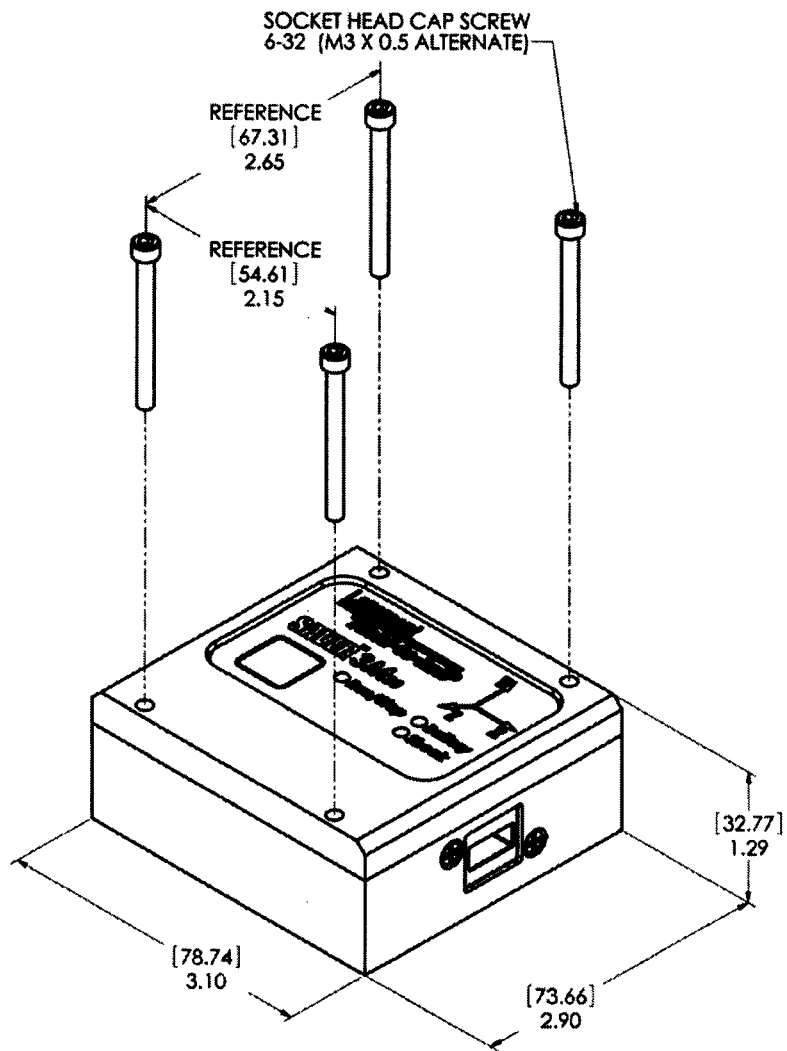


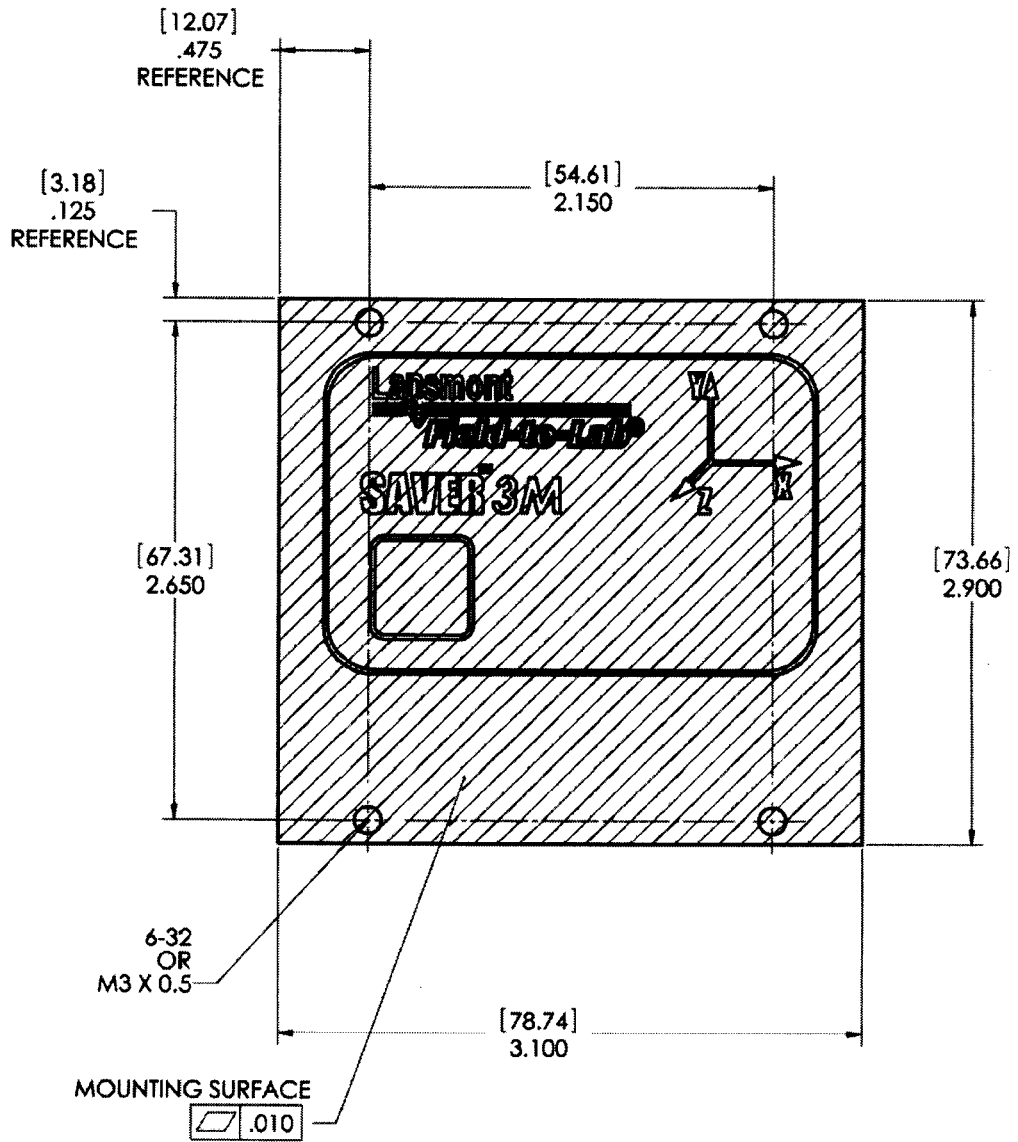
Mounting Recommendations

NOTES:

1. DIMENSIONS IN INCHES (MILLIMETER)
2. MANUAL AND SOFTWARE AVAILABLE



ISOMETRIC VIEW OF 3M30



PLAN VIEW (MOUNTING SURFACE)